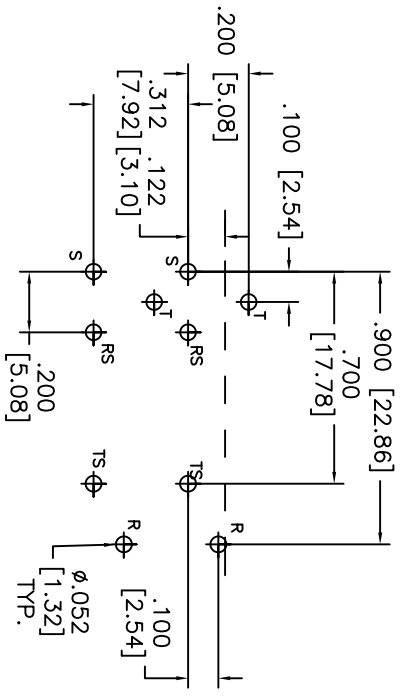
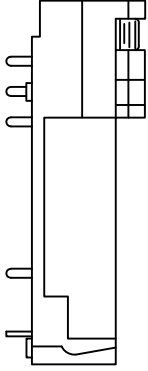
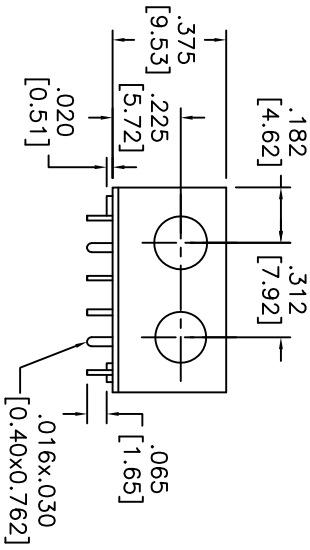
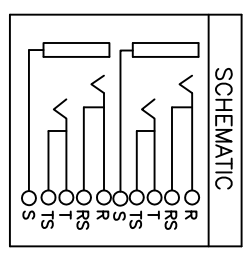
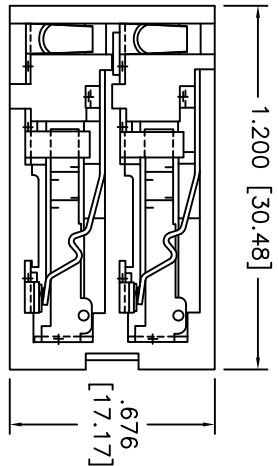
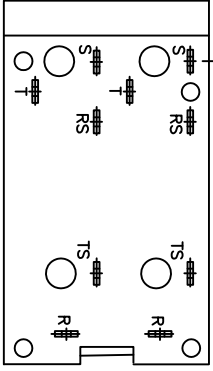


APPROVED: _____
 DATE: _____ TITLE: _____

Rev	AWO #	Description	Date	Appr
-		RELEASED	5/31/10	
A		REDRAWN	7/01/10	



RECOMMENDED PCB LAYOUT
 (COMPONENT SIDE)



SPECIFICATIONS:
 Material: PBT, rated UL 94V-0
 Insulator color: Black
 Contacts: Copper Alloy, Gold plated
 Springs: Copper Alloy, Silver plated
 Electrical:
 Contact resistance: 30 mohms max.
 Dielectric withstanding voltage: 500 VAC for 1 minute
 Temperature Rating:
 Operating temperature: -25°C to +70°C
 Environmental:
 Lead free, RoHS compliant.
 Recommended soldering temp: 235°C for 5 sec.



UNLESS OTHERWISE SPECIFIED
 ALL DIMENSIONS ARE INCHES [MM]
 TOLERANCES: EXCEPT AS NOTED

INCHES	HOLES
.X ± .10	ØX ± .10
.XX ± .020	ØXX ± .015
.XXX ± .015	ØXXX ± .010

APPROVALS: _____ DATE: _____

DRAWN	DY	5/31/10
CHECKED		
APPROVED		

ADAM TECH
 909 Rahway Avenue, Union, NJ 07083
 Phone: 908-687-5000 Fax: 908-687-5710

TITLE: 4.5MM STEREO PHONE JACK

SIZE	PART NO.	REV.
X	ASJ-5003-A10070	A
REF: S00030C	SCALE: NTS	SHEET 1 OF 1