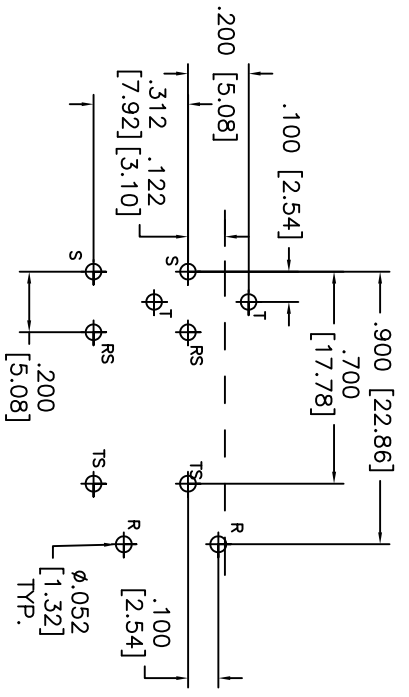
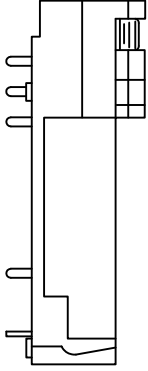
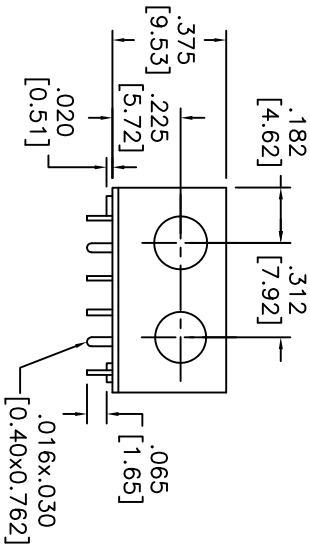
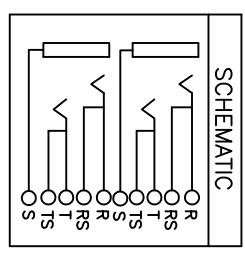
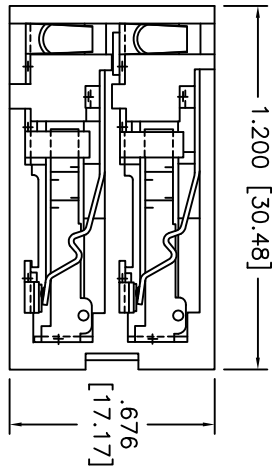
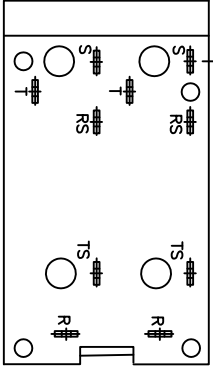


Rev	AWO #	Description	Date	Appr
-		RELEASED	7/01/10	

APPROVED: _____
 DATE: _____ TITLE: _____



RECOMMENDED PCB LAYOUT
 (COMPONENT SIDE)



SPECIFICATIONS:

Material: Insulator: Hi-temp thermoplastic, rated UL 94V-0
 Insulator color: Black
Contacts: Copper Alloy, Gold plated
 Springs: Copper Alloy, Silver plated
Electrical:
 Contact resistance: 30 mohms max.
 Dielectric withstanding voltage: 500 VAC for 1 minute
 Temperature Rating:
 Operating temperature: -25°C to +70°C
Environmental:
 Lead free, RoHS compliant.
 Recommended soldering temp: 260°C for 5 sec.



ADAM TECH

909 Rahway Avenue, Union, NJ 07083
 Phone: 908-687-5000 Fax: 908-687-5710

4.5MM STEREO PHONE JACK

UNLESS OTHERWISE SPECIFIED ALL DIMENSIONS ARE INCHES [MM] TOLERANCES: EXCEPT AS NOTED		TITLE	
INCHES	HOLDS	4.5MM STEREO PHONE JACK	
.X ± .10	ØXX ± .10	SIZE	PART NO.
.XX ± .020	ØXXX ± .015	X	ASJ-5003-A10070-HT
.XXX ± .015	ØXXXX ± .010	REF: S00030C	SCALE: NTS
APPROVALS	DATE	SHEET 1 OF 1	
DRAWN	DY	7/01/10	
CHECKED			
APPROVED			