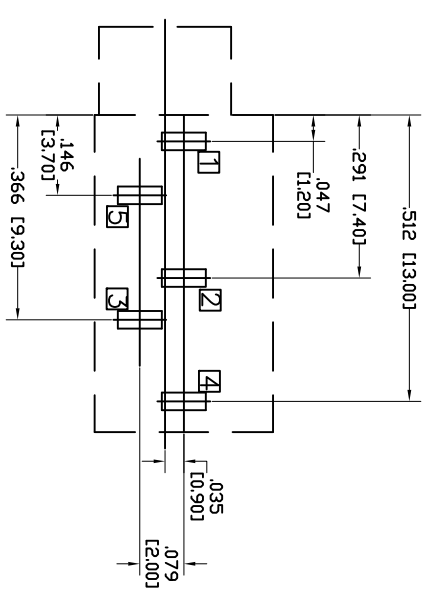
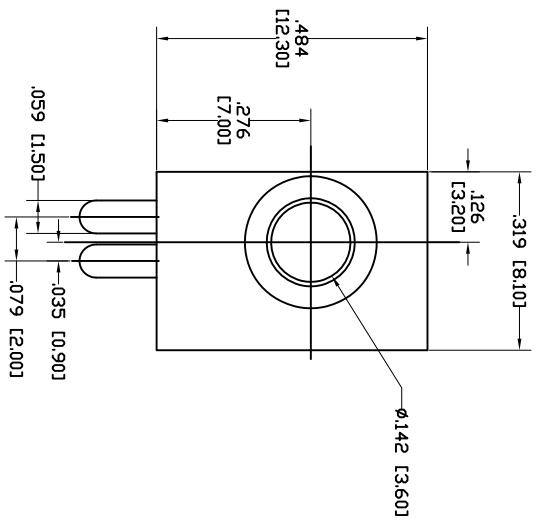
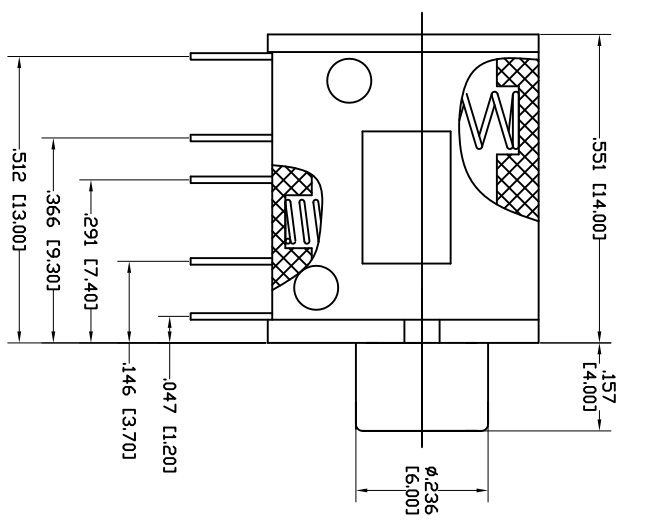


APPROVED: _____
 DATE: _____ TITLE: _____

Rev	AWO #	Description	Date	Appr
-		RELEASED	8/2/03	
A		REDRAWN	8/30/10	



RECOMMENDED PCB LAYOUT

CONTACT FORM	ASJ-5-5	ASJ-5-4B	ASJ-5-3A	ASJ-5-3	ASJ-5-2	ASJ-5-4
SCHEMATIC						

SPECIFICATIONS:
 Material: Insulator: PBT, rated UL 94V-0
 Insulator color: Black
 Contacts: Copper Alloy, Tin plated.
 Bushing: Copper Alloy, Nickel plated
 Electrical:
 Operating voltage: 30 VDC max.
 Current rating: 0.5 Amp max.
 Contact resistance: 30 mohms max.
 Insulation resistance: 100 Mohms min.
 Dielectric withstanding voltage: 500 VAC for 1 minute
 Temperature Rating:
 Operating temperature: -20°C to +70°C
 Environmental:
 Lead free, RoHS compliant.
 Recommended soldering temp: 235°C for 5 sec.



UNLESS OTHERWISE SPECIFIED
 ALL DIMENSIONS ARE MM [INCHES]
 TOLERANCES: EXCEPT AS NOTED
 INCHES
 .X ± .10
 .XX ± .020
 .XXX ± .015
 .XXX ± .015

ADAM TECH
 909 Rahway Avenue, Union, NJ 07083
 Phone: 908-687-5000 Fax: 908-687-5710

DRAWN	SLS	8/2/03	SIZE	PART NO.	REV.
CHECKED	AY	8/30/10	X	ASJ-5-XX	A
APPROVED			REF:	S00002C	SHEET 1 OF 1

TITLE: STEREO JACK, RIGHT ANGLE, PCB MOUNT