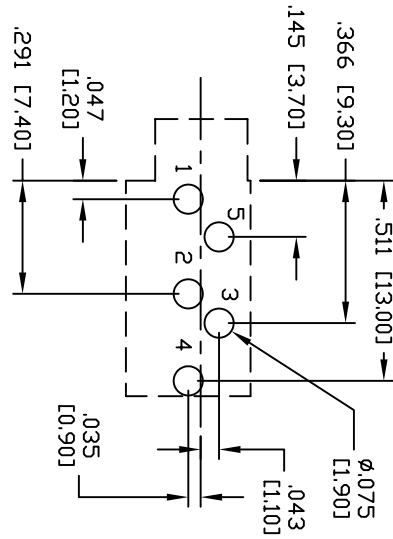
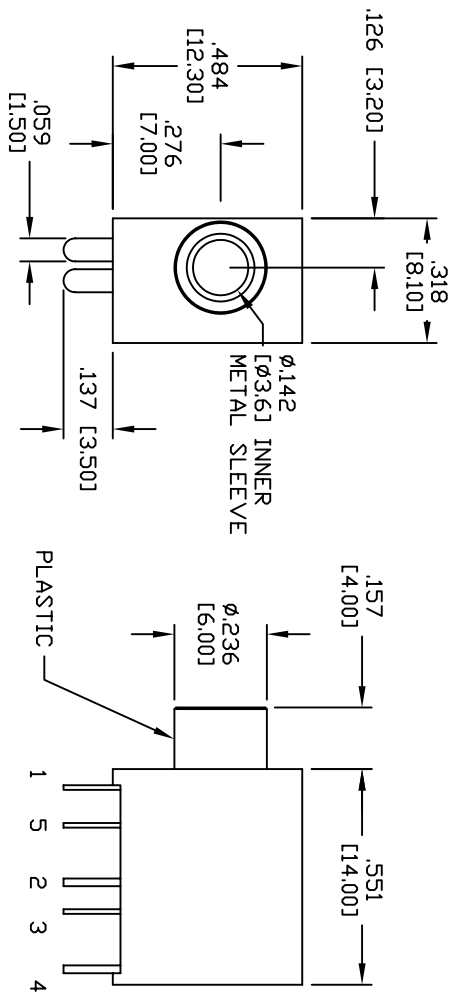


Rev	AWO #	Description	Date	Appr
-	5952	RELEASED	12/20/05	

APPROVED: _____
 DATE: _____ TITLE: _____

CONTACT FORM	FORM 3	FORM 3A	FORM 4B	FORM 5
SCHMATIC				



RECOMMENDED PCB LAYOUT

SPECIFICATIONS:

- Material: Insulator: HI-Temp Thermo plastic, rated UL 94V-0
- Insulator color: Lime Green
- Contacts: Brass
- Plating: Contact: Gold Flash over Nickel underplate
- Terminal: Gold Flash over Nickel underplate
- Electrical: Operating voltage: 12 VDC max.
- Current rating: 1 Amp max.
- Contact resistance: 30 mohms max. initial
- Insulation resistance: 100 Mohms min.
- Dielectric withstanding voltage: 500 VAC for 1 minute
- Temperature Rating: Operating temperature: -65°C to +125°C
- Environmental: Lead free, RoHS compliant.
- Recommended soldering temp: 260 for 5 sec.



ADAM TECH

909 Rahway Avenue, Union, NJ 07083
 Phone: 908-687-5000 Fax: 908-687-5710

TITLE: STEREO JACK, 3.5MM, RIGHT ANGLE
 COLOR LIME GREEN, HI-TEMP, PLASTIC

UNLESS OTHERWISE SPECIFIED ALL DIMENSIONS ARE INCHES [MM]		TOLERANCES: EXCEPT AS NOTED INCHES		HOLES	
.X	± .10	ØXX	± .10		
.XX	± .020	ØXXX	± .015		
.XXX	± .015	ØXXX	± .010		
APPROVALS		DATE		TITLE	
DRAWN	SS	12/20/05		STEREO JACK, 3.5MM, RIGHT ANGLE	
CHECKED				COLOR LIME GREEN, HI-TEMP, PLASTIC	
APPROVED				ADAM TECH	
SIZE	PART NO.	SCALE:	NTS	SHEET	1 OF 1
X	ASL-5-X-AP-LM-HT				