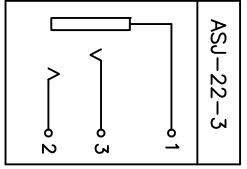
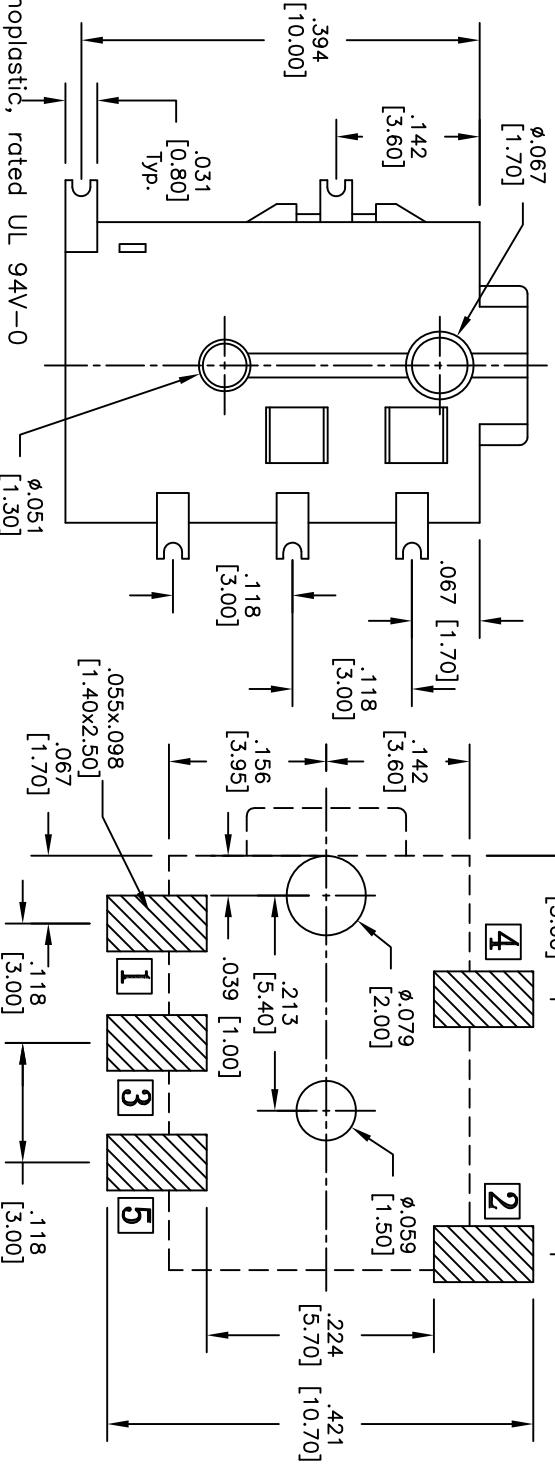
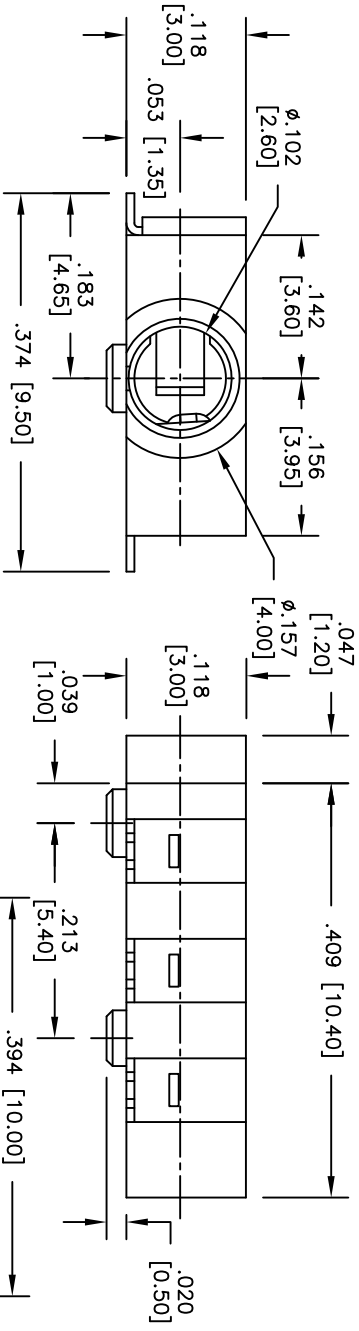


Rev	AWO #	Description	Date	Appr
-		RELEASED	6/16/11	

APPROVED: _____

DATE: _____ TITLE: _____



SPECIFICATIONS:

- Material: Insulator: Hi-temp thermoplastic, rated UL 94V-0
- Insulator color: Black
- Contacts: Copper Alloy
- Plating: Silver over Nickel underplate overall
- Electrical: Operating voltage: 30 VDC max.
- Current rating: 0.5 Amp max.
- Contact resistance: 30 mohms max. initial
- Insulation resistance: 100 Mohms min.
- Dielectric withstanding voltage: 500 VAC for 1 minute
- Environmental: Lead free, RoHS compliant.
- Recommended soldering temp: 260°C for 5 sec.

RECOMMENDED PCB LAYOUT

ADAM TECH
 909 Railway Avenue, Union, NJ 07083
 Phone: 908-687-5000 Fax: 908-687-5710

TITLE: 2.5 PHONE JACK

UNLESS OTHERWISE SPECIFIED ALL DIMENSIONS ARE IN INCHES [MM]	
TOLERANCES: EXCEPT AS NOTED	
.X	± .10
.XX	± .020
.XXX	± .015
.XXX	± .010
APPROVALS	DATE
DRAWN	DY
CHECKED	
APPROVED	

SIZE	PART NO.	REV.
X	ASJ-22-3	-
REF:	S00022C	
SCALE:	NTS	
SHEET	1 OF 1	