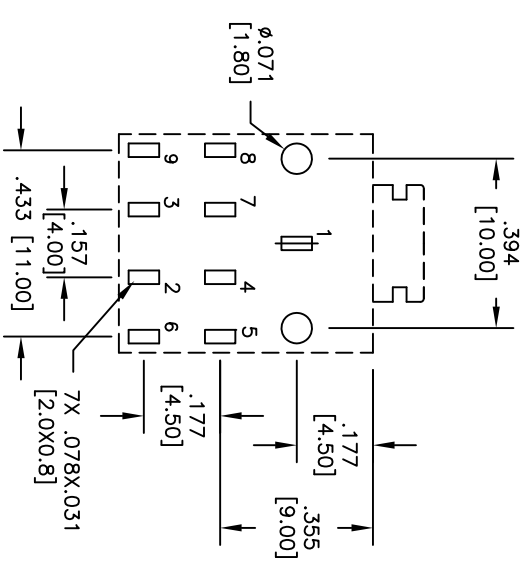
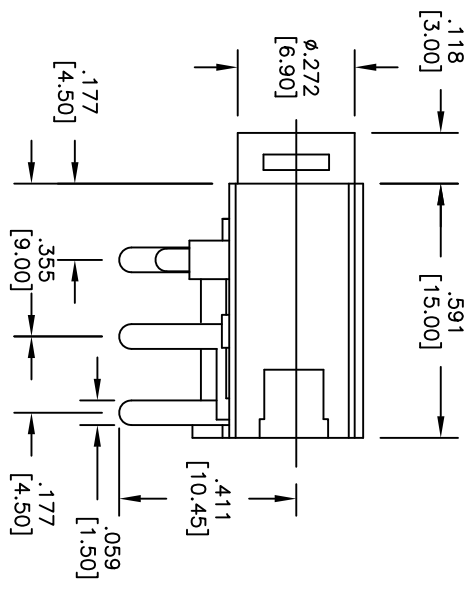
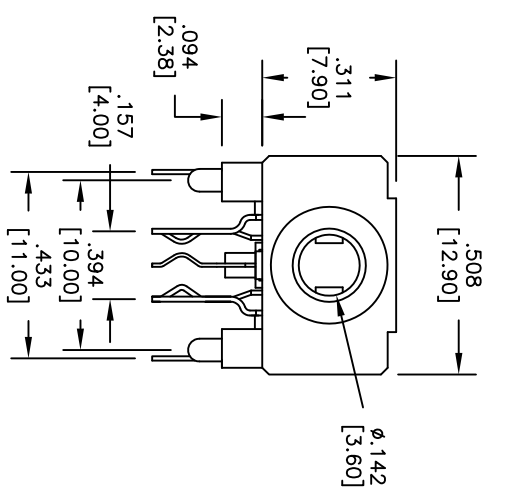


Rev	AWO #	Description	Date	Appr
-		RELEASED	6/02/11	

APPROVED: \_\_\_\_\_  
 DATE: \_\_\_\_\_ TITLE: \_\_\_\_\_



**SCHEMATIC**

ASJ-21-7D	ASJ-21-7C	ASJ-21-4E	ASJ-21-7E	ASJ-21-4D	ASJ-21-4C	ASJ-21-3	ASJ-21-3B

**SPECIFICATIONS:**

**Material:** PBT, rated UL 94V-0  
**Insulator color:** Black  
**Contacts:** Copper Alloy  
**Plating:** Silver over Nickel underplate overall

**Electrical:** Operating voltage: 30 VDC max.

**Current rating:** 0.5 Amp max.  
**Contact resistance:** 30 mohms max. initial  
**Insulation resistance:** 100 Mohms min.  
**Dielectric withstanding voltage:** 500 VAC for 1 minute

**Environmental:** Lead free, RoHS compliant.  
**Recommended soldering temp:** 235°C for 5 sec.



**ADAM TECH**

909 Rahway Avenue, Union, NJ 07083  
 Phone: 908-687-5000 Fax: 908-687-5710

**TITLE:** 3.5 PHONE JACK, PCB MOUNT

UNLESS OTHERWISE SPECIFIED ALL DIMENSIONS ARE IN INCHES [MM]		TOLERANCES EXCEPT AS NOTED IN INCHES		HOLE SIZES		DATE	
.X	± .10	Ø.X	± .10	Ø.XX	± .015	DATE	
.XX	± .020	Ø.XXX	± .015	Ø.XXX	± .010		
.XXX	± .015	Ø.XXX	± .010				
APPROVALS				DATE			
DRAWN	DY	6/02/11					
CHECKED							
APPROVED							
SIZE	PART NO.	ASJ-21-XX					
REF:	S0002C	SCALE: NTS		SHEET 1 OF 1			