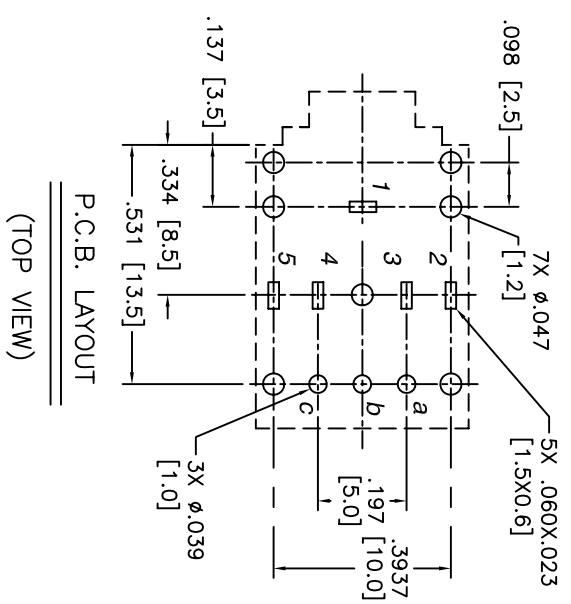
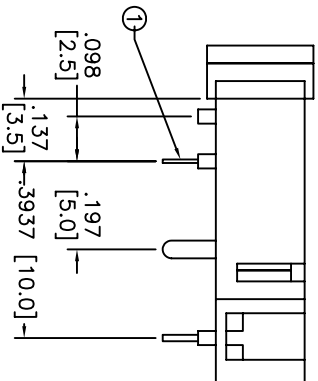
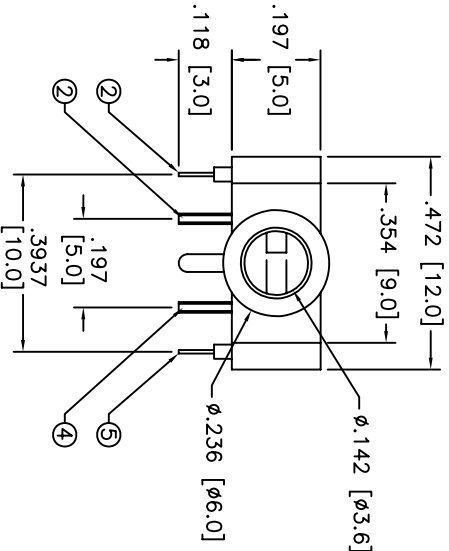


Rev	AWO #	Description	Date	Appr
-		RELEASED	6/25/07	

APPROVED: \_\_\_\_\_  
 DATE: \_\_\_\_\_ TITLE: \_\_\_\_\_



ASJ-1A-5	ASJ-1A-4B	ASJ-1A-3	ASJ-1A-3A

**SPECIFICATIONS:**  
**Material:**  
 Insulator: Polybutylene Terephthalate (PBT), glass reinforced thermoplastic, rated UL 94V-0, Color: Black  
 Bushing, Contacts, Shunt and Ground Terminals: Copper Alloy Plating:  
 Bushing and Ground Terminals: 5 µin Nickel Plated  
 Contacts and Shunt Terminals: 5 µin Tin Plated  
**Electrical:**  
 Operation voltage: 30 VDC  
 Current rating: 0.5 Amps  
 Contact resistance: 50 mΩ max  
 Insulation resistance: 100 MΩ min at 500 VDC  
 Dielectric withstanding voltage: 500V AC (RMS) for 1 minute  
 Environmental:  
 Operating temperature: -40°C to +85°C  
 Lead free, RoHS compliant.  
 Recommended soldering temp: 235°C for 5 sec.

**RoHS COMPLIANT**

UNLESS OTHERWISE SPECIFIED  
 ALL DIMENSIONS ARE MM [INCHES]  
 TOLERANCES: EXCEPT AS NOTED  
 INCHES

.X	± .10	ØXX	± .10
.XX	± .020	ØXXX	± .015
.XXX	± .015	ØXXXX	± .010

APPROVALS

DRAWN	SS	DATE	6/25/07
CHECKED			
APPROVED			

**ADAM TECH**  
 909 Rahway Avenue, Union, NJ 07083  
 Phone: 908-687-5000 Fax: 908-687-5710

TITLE: STEREO JACK, 3.5mm, WITH SWITCH

SIZE	PART NO.	REV.
X	ASJ-1A-X	-
REF:	SCALE: NTS	SHEET 1 OF 1