

Rev	AWO #	Description	Date	Appr
-		RELEASED	11/22/10	

6

5

4

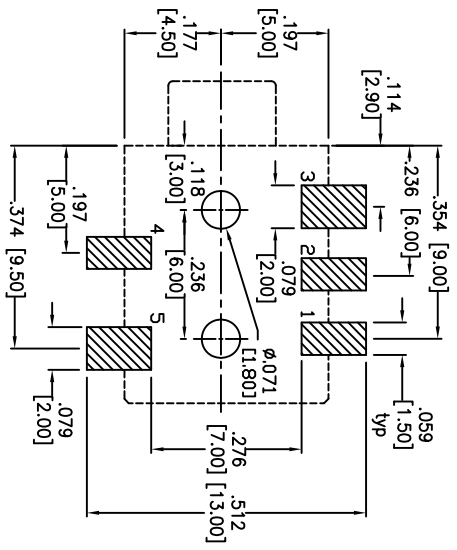
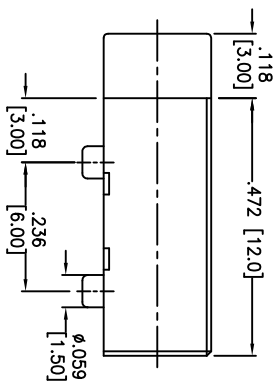
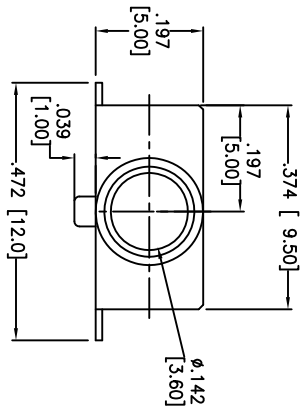
3

2

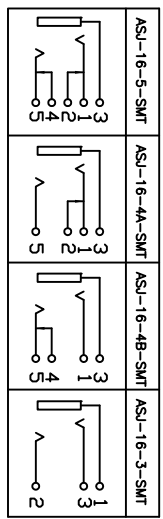
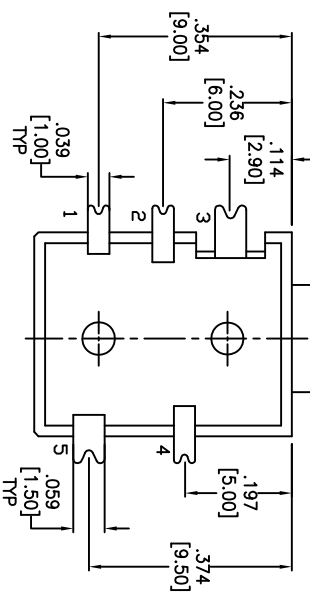
1

APPROVED: \_\_\_\_\_

DATE: \_\_\_\_\_ TITLE: \_\_\_\_\_



RECOMMENDED PCB LAYOUT



SPECIFICATIONS:

- Material: Insulator: FR52, rated UL 94V-0
- Insulator color: Black
- Contacts: Copper Alloy
- Plating: Gold flash over Nickel underplate overall

- Electrical: Operating voltage: 30 VDC max. Current rating: 0.5 Amp max. Contact resistance: 0.03Ω max. initial Insulation resistance: 100 Mohms min. Dielectric withstanding voltage: 500 VAC for 1 minute Temperature Rating: Operating temperature: -30°C to +85°C

- Environmental: Lead free, RoHS compliant. Recommended soldering temp: 260 for 5 sec.

**ADAM TECH**

909 Railway Avenue, Union, NJ 07083  
 Phone: 908-687-5000 Fax: 908-687-5710

TITLE: STEREO JACK, 3.5mm, RIGHT ANGLE SURFACE MOUNT

UNLESS OTHERWISE SPECIFIED ALL DIMENSIONS ARE INCHES [MM] TOLERANCES: EXCEPT AS NOTED INCHES Holes		DATE	
.X ± .10	ØXX ± .10	DATE	
.XX ± .020	ØXXX ± .015		
.XXX ± .015	ØXXXX ± .010		
DRAWN AY 11/22/10		SIZE X	PART NO. ASJ-16-X-SMT
CHECKED AW 11/22/10	APPROVALS	REF: S00030C	SCALE: NTS
APPROVED			SHEET 1 OF 1

A

B

C

D

A

B

C

D

6

5

4

3

2

1

