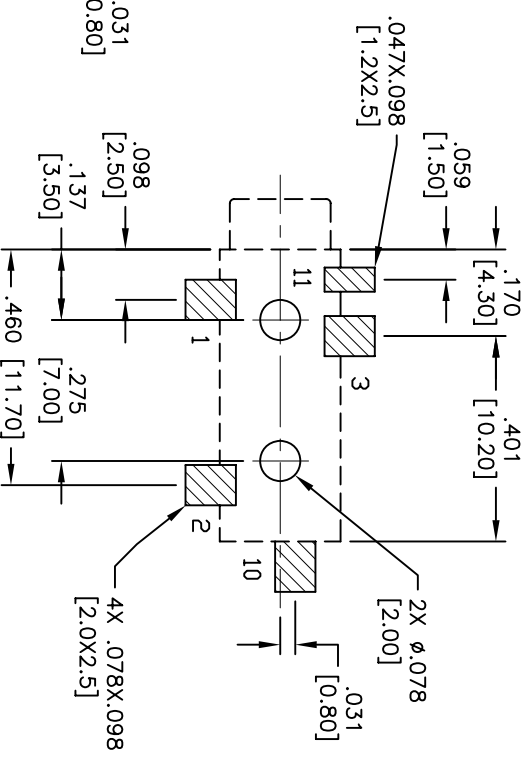
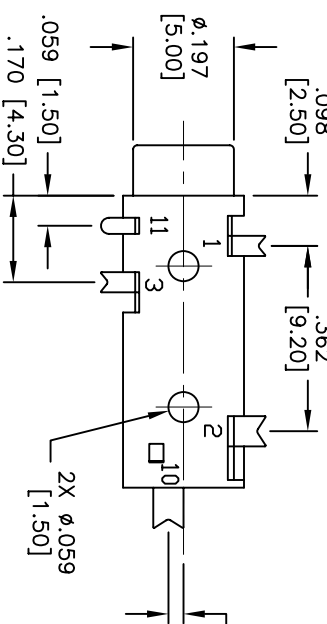
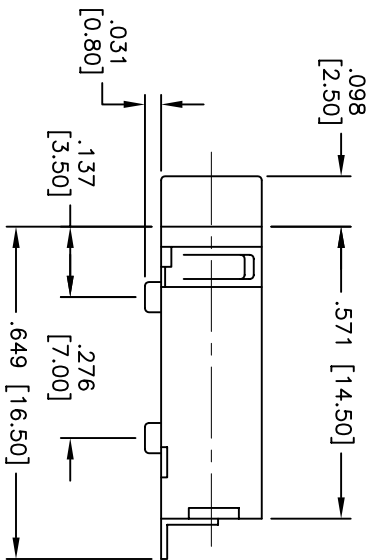
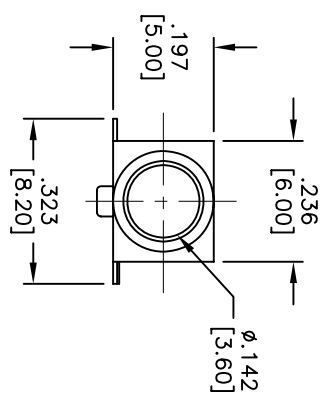


APPROVED: \_\_\_\_\_  
 DATE: \_\_\_\_\_ TITLE: \_\_\_\_\_

Rev	AWO #	Description	Date	Appr
-		RELEASED	04/08/05	
A		REDREW	6/27/08	



**SCHEMATIC**

ASJ-15-3	ASJ-15-3A	ASJ-15-4A	ASJ-15-4B	ASJ-15-5

RECOMMENDED  
PCB LAYOUT

**SPECIFICATIONS:**

Material:

Insulator: PA9T, rated UL 94V-0

Insulator color: Black

Contacts: Copper Alloy

Plating:

Tin over Copper underplate

Electrical:

Operating voltage: 30 VDC max.

Contact rating: 0.5 Amp max.

Contact resistance: 30 mohms max. initial

Insulation resistance: 100 Mohms min.

Dielectric withstanding voltage: 500 VAC for 1 minute

Temperature Rating:

Operating temperature: -65°C to +125°C

Environmental:

Lead free, RoHS compliant.

Recommended soldering temp: 260°C. for 5 sec.



**ADAM TECH**

909 Rahway Avenue, Union, NJ 07083  
 Phone: 908-687-5000 Fax: 908-687-5710

STEREO JACK, 3.5mm, RIGHT ANGLE  
 SURFACE MOUNT

UNLESS OTHERWISE SPECIFIED ALL DIMENSIONS ARE INCHES [MM] TOLERANCES: EXCEPT AS NOTED		TITLE	
.X ± .10	ØX ± .10	ASJ-15-XX	
.XX ± .020	ØXX ± .015	STEREO JACK, 3.5mm, RIGHT ANGLE	
.XXX ± .015	ØXXX ± .010	SURFACE MOUNT	
APPROVALS	DATE	SIZE	PART NO.
SS	04/08/05	X	ASJ-15-XX
CHECKED		SCALE:	SHEET 1 OF 1
DRAWN		REV.	A
APPROVED			