

6

5

4

3

2

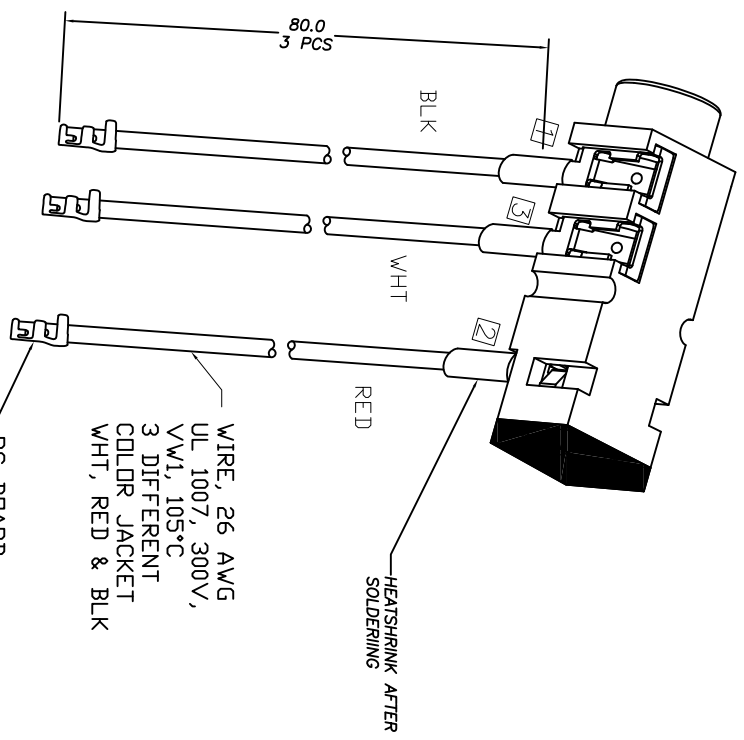
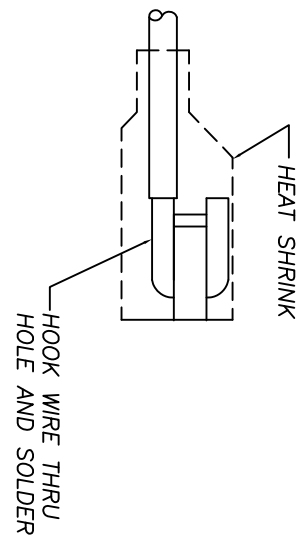
1

Rev	AWO #	Description	Date	Appr
SEE SHIT 1 OF 2 FOR REVISION HISTORY				

APPROVED: _____

DATE: _____ TITLE: _____

ASSEMBLY



SCHEMATIC	
	BLK WIRE
	WHT WIRE
	RED WIRE

WHITE WIRE = LEFT CHANNEL
 RED WIRE = RIGHT CHANNEL
 BLACK WIRE = COMMON

SPECIFICATIONS:

Material:
 Stereo Jack: Adam Tech P/N: ASJ-15-X-SP1
 Wires: 26 Awg, UL 1007, 300V, 105°C, VW1 Rated,
 Tinned Copper Conductors, Insulator colors Red, Black & White
 Temperature Range: -10°C to +105°C

PCB Crimp Terminal: ADAM P/N: PCT-006-T, Tin Plated
 Heat Shrink: Polyolefin, color Black

Environmental:
 Lead free, RoHS compliant.



UNLESS OTHERWISE SPECIFIED ALL DIMENSIONS ARE INCHES [MM]	
TOLERANCES, EXCEPT AS NOTED:	
INCHES	HOLES
.X ± .10	Ø X ± .10
.XX ± .020	Ø XX ± .015
.XXX ± .015	Ø XXX ± .010
APPROVALS	DATE
DRAWN	DT
CHECKED	
APPROVED	

ADAM TECH
 909 Rahway Avenue, Union, NJ 07083
 Phone: 908-687-5000 Fax: 908-687-5710

TITLE: STEREO JACK, 3.5mm, THROUGH HOLE, WITH TERMINALS (PCT-006-T)

SIZE: X	PART NO. ASJ-15-X-SP7	SCALE: NTS	SHEET 2 OF 2
REV.:			

6

5

4

3

2

1