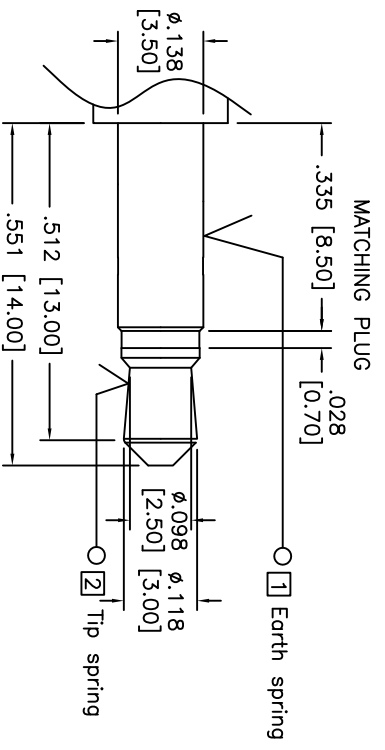
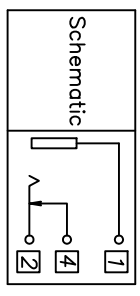
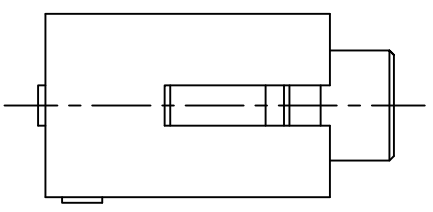
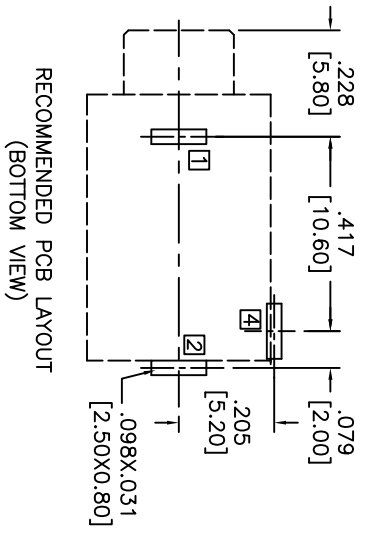
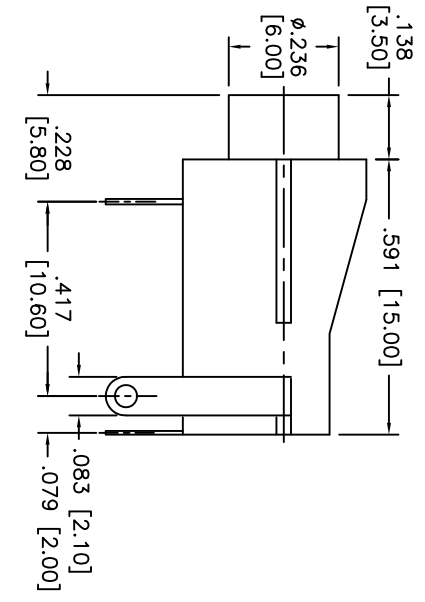
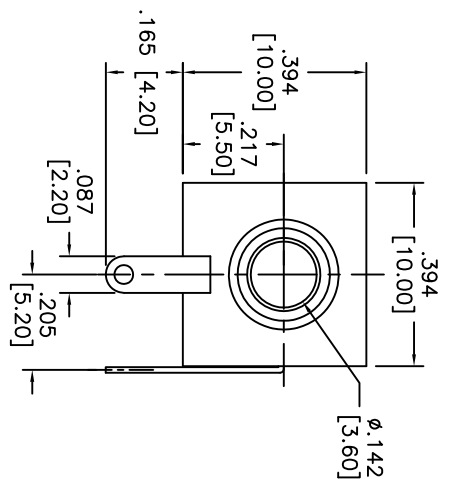


Rev	AWO #	Description	Date	Appr
-	11423	RELEASED	6/13/11	

APPROVED: _____

DATE: _____ TITLE: _____



SPECIFICATIONS:

Material: PBT, glass reinforced, rated UL 94V-0
 Insulator color: Black
 Contacts: Copper Alloy, Tin plated.
 Bushing: Copper Alloy, Nickel plated.
 Electrical:
 Rated Voltage and Current: DC30V, 0.5A.
 Contact resistance: 30 mohms max.
 Insulation resistance: 100 Mohms min. @ 500VDC
 Withstanding voltage: 500 VAC
 Temperature rating:
 Operating temperature: -20°C to +70°C
 Environmental:
 Lead free, RoHS compliant.
 Recommended soldering temp: 235°C for 5 sec.



ADAM TECH

909 Rahway Avenue, Union, NJ 07083
 Phone: 908-687-5000 Fax: 908-687-5710

3.5 STEREO PHONE JACK

UNLESS OTHERWISE SPECIFIED ALL DIMENSIONS ARE INCHES [MM]	
TOLERANCES: EXCEPT AS NOTED	
INCHES	HOLES
.X ± .10	ØX ± .10
.XX ± .020	ØXXX ± .015
.XXX ± .015	ØXXX ± .010
APPROVALS	DATE
DRAWN	DY
CHECKED	
APPROVED	

TITLE		PART NO.		REV.	
3.5 STEREO PHONE JACK		ASL-142-3A		-	
REF: S0002C		SCALE: NTS		SHEET 1 OF 1	