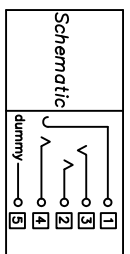
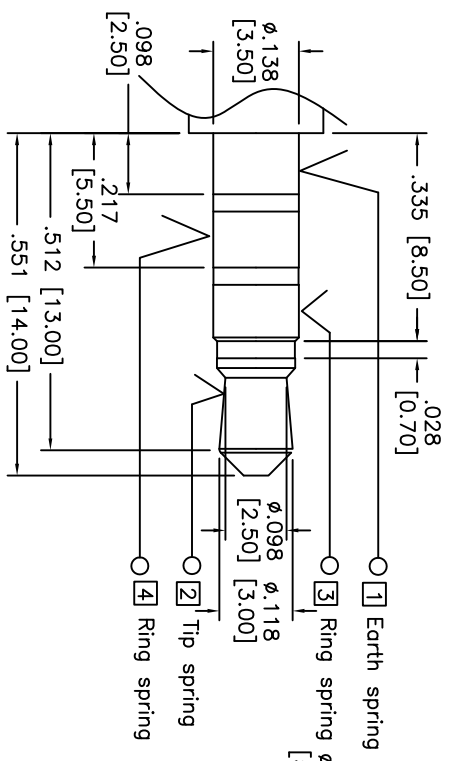
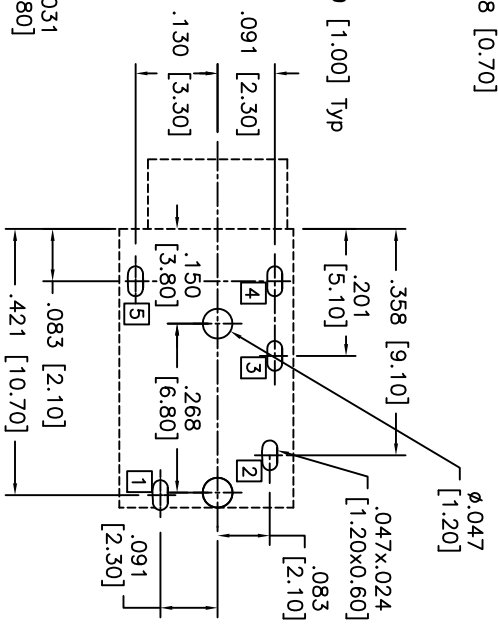
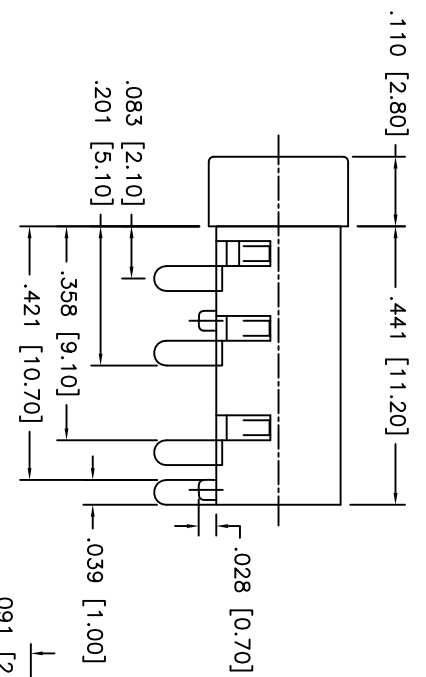
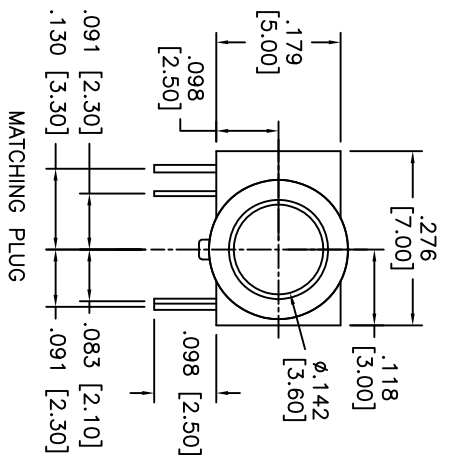


Rev	AWO #	Description	Date	Appr
-		RELEASED	6/02/11	

APPROVED: \_\_\_\_\_  
 DATE: \_\_\_\_\_ TITLE: \_\_\_\_\_



RECOMMENDED PCB LAYOUT  
 (BOTTOM VIEW)

**SPECIFICATIONS:**

**Material:**  
 Insulator: PBT, glass reinforced, rated UL 94V-0  
 Insulator color: Black  
 Contacts: Copper Alloy, Silver plated.  
**Electrical:**  
 Rated Voltage and Current: DC30V, 0.5A.  
 Contact resistance: 50 mohms max.  
 Insulation resistance: 100 Mohms min. @ 250VDC  
 Withstanding voltage: 500 VAC  
**Environmental:**  
 Lead free, RoHS compliant.  
 Recommended soldering temp: 235°C for 5 sec.

**ADAM TECH**

909 Rahway Avenue, Union, NJ 07083  
 Phone: 908-687-5000 Fax: 908-687-5710

3.5 STEREO PHONE JACK

UNLESS OTHERWISE SPECIFIED ALL DIMENSIONS ARE IN INCHES [MM]	
TOLERANCES: EXCEPT AS NOTED	
INCHES	HOLDS
.X ± .10	ØX ± .10
.XX ± .020	ØXX ± .015
.XXX ± .015	ØXXX ± .010
APPROVALS	DATE
DRAWN	DY
CHECKED	
APPROVED	

SIZE	PART NO.	REV.
X	ASL-140-M	-
REF: S0002C	SCALE: NTS	SHEET 1 OF 1

