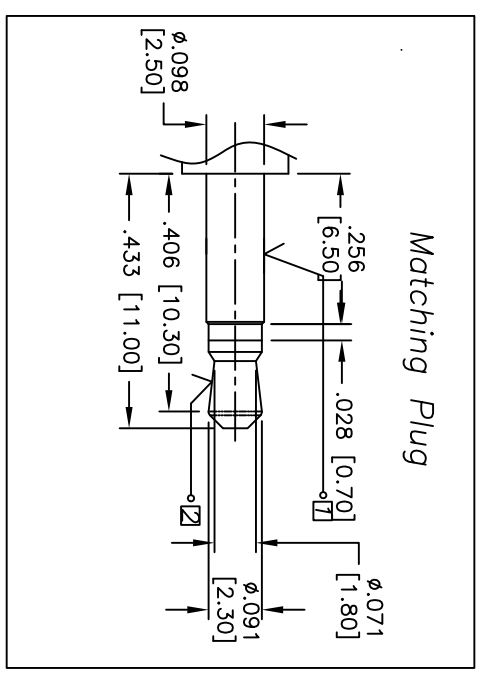
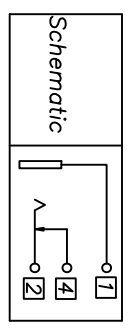
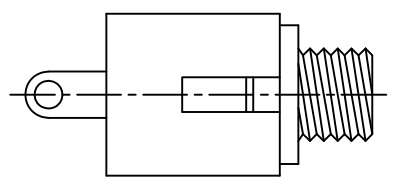
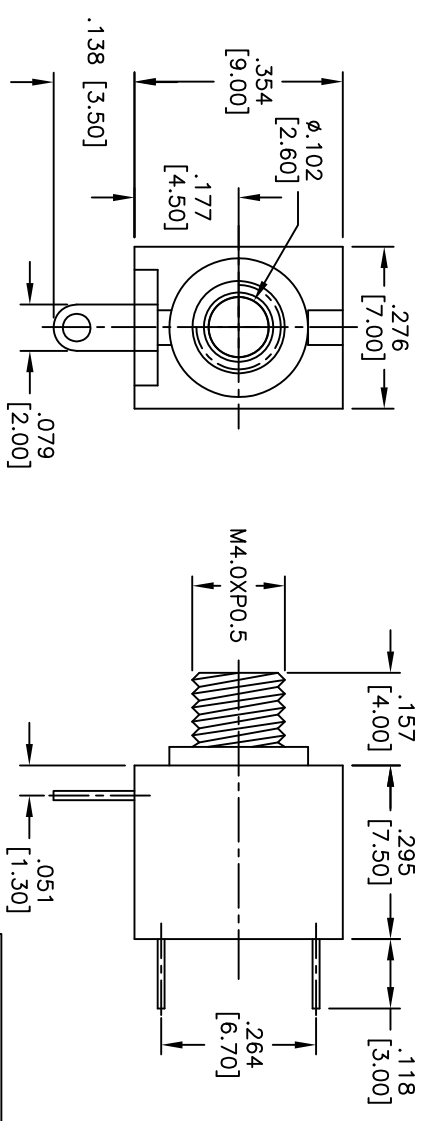


Rev	AWO #	Description	Date	Appr
-		RELEASED	4/25/11	

APPROVED: _____
 DATE: _____ TITLE: _____



SPECIFICATIONS:

Material: Insulator: PBT, rated UL 94V-0
 Insulator color: Black
 Contacts: Copper alloy

Plating: Tin over Copper underplate overall
 Electrical: Operating voltage: 30 VDC max.

Environmental: Lead free, RoHS Compliant
 Dielectric withstanding voltage: 500 VAC for 1 minute
 Insulation resistance: 100 Mohms min.
 Contact resistance: 30 Amp max.
 Initial

6 5 4 3 2 1

ADAM TECH

909 Railway Avenue, Union, NJ 07083
 Phone: 908-687-5000 Fax: 908-687-5710

STEREO PHONE JACK, 2.5MM

UNLESS OTHERWISE SPECIFIED ALL DIMENSIONS ARE INCHES [MM]	
TOLERANCES: EXCEPT AS NOTED	HOLE
.X ± .10	ØXX ± .10
.XX ± .020	ØXXX ± .015
.XXX ± .015	ØXXXX ± .010
APPROVALS	DATE
DRAWN DY	4/25/11
CHECKED	
APPROVED	

SIZE X	PART NO. ASL-138-3A-M	REV. -
REF: S0002C	SCALE: NTS	SHEET 1 OF 1

