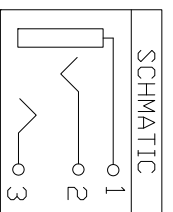
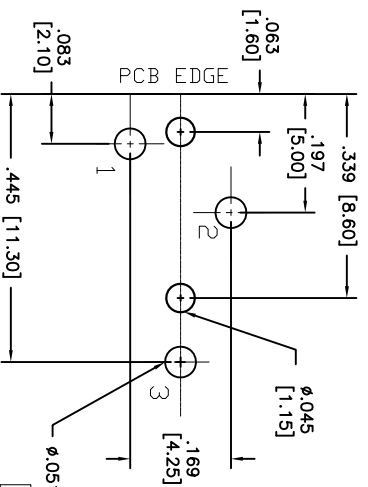
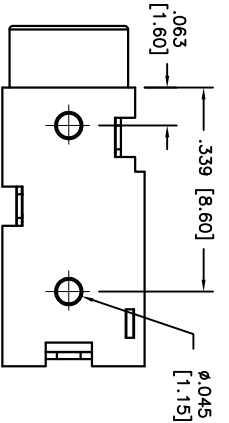
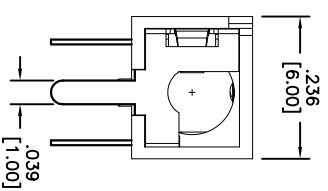
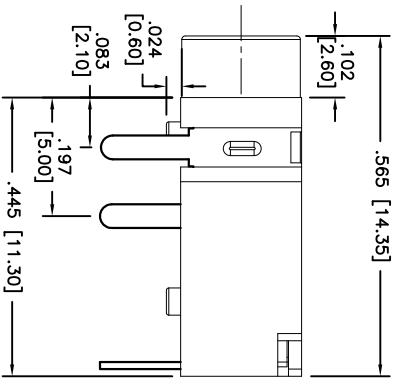
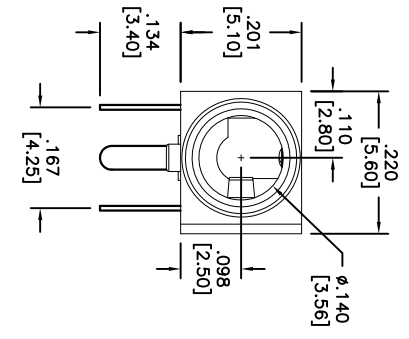


| Rev | AWO # | Description | Date | Appr |
|-----|-------|-------------|---------|------|
| - | | RELEASED | 9/15/10 | |

APPROVED: _____
 DATE: _____ TITLE: _____



RECOMMENDED PCB LAYOUT

ADAM TECH

909 Rahway Avenue, Union, NJ 07083
 Phone: 908-687-5000 Fax: 908-687-5710

STEREO PHONE JACK, 3.5mm

| | |
|--|-------------|
| UNLESS OTHERWISE SPECIFIED ALL DIMENSIONS ARE INCHES [MM] | |
| TOLERANCES: EXCEPT AS NOTED | |
| INCHES | HOLDS |
| .X ± .10 | ØXX ± .10 |
| .XX ± .020 | ØXX ± .015 |
| .XXX ± .015 | ØXXX ± .010 |
| APPROVALS | DATE |
| DRAWN AY | 9/15/10 |
| CHECKED VW | 9/15/10 |
| APPROVED | |

| | | |
|--------------|------------|--------------|
| SIZE | PART NO. | REV. |
| X | ASL-133-3 | - |
| REF: S00740T | SCALE: NTS | SHEET 1 OF 1 |

SPECIFICATIONS:

Material: Insulator: PBT, rated UL 94V-0
 Insulator color: Black
 Contacts: Phosphor Bronze, Tin plated.

Electrical: Operating voltage: 30 VDC max.
 Rated Voltage And Current: AC 12V, 2A Max
 AC 100V, 1A Max

Contact resistance: 30 mohms max.
 Insulation resistance: 100 Mohms min.

Dielectric withstanding voltage: 500 VAC for 1 minute
 Temperature Rating: Operating temperature: -20°C to +70°C

Environmental: Environmental: Lead free, RoHS compliant.

Recommended soldering temp: 235°C for 5 sec.

