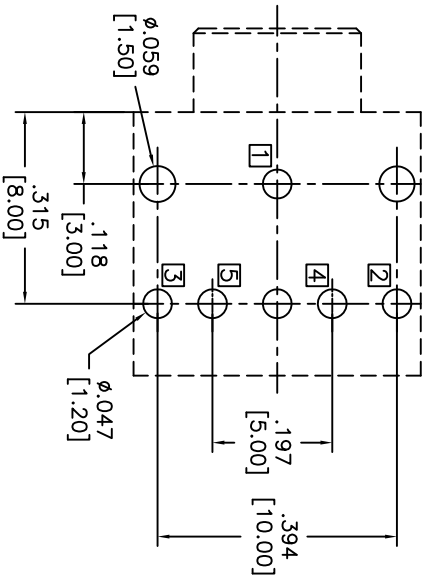
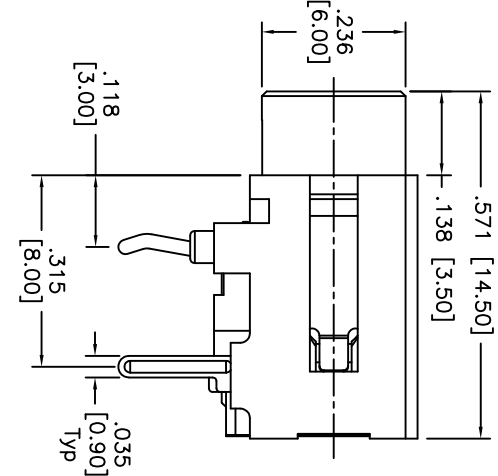
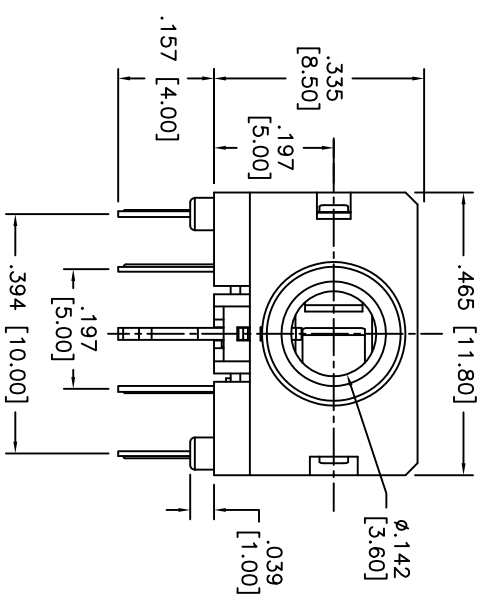
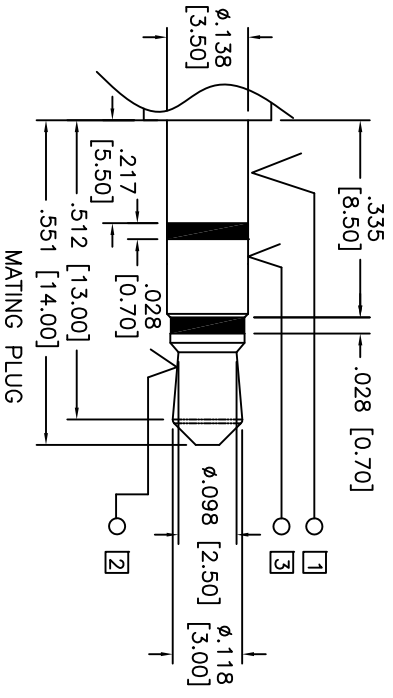
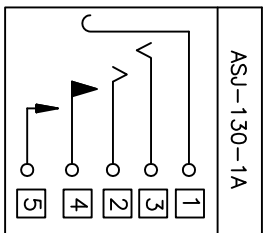
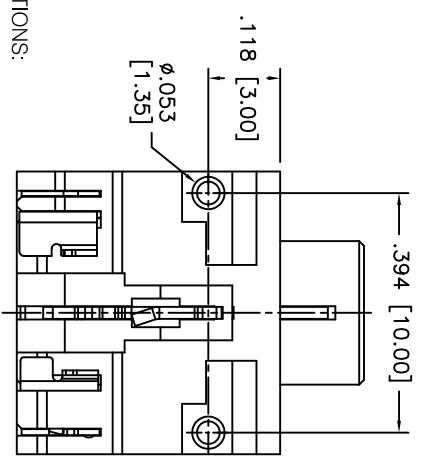


Rev	AWO #	Description	Date	Appr
-		RELEASED	7/13/10	

APPROVED: _____
 DATE: _____ TITLE: _____



RECOMMENDED PCB LAYOUT



MATING PLUG

SPECIFICATIONS:

Material: Insulator: PBT, rated UL 94V-0
 Insulator color: Black
 Contacts: Copper Alloy, Silver plated.

Electrical: Operating voltage: 30 VDC max.
 Current rating: 0.5 Amp max.
 Contact resistance: 50 mohms max.
 Insulation resistance: 100 Mohms min.
 Dielectric withstanding voltage: 500 VAC for 1 minute
 Temperature Rating: Operating temperature: -20°C to +70°C

Environmental: Lead free, RoHS compliant.
 Recommended soldering temp: 235°C for 5 sec.



UNLESS OTHERWISE SPECIFIED
 ALL DIMENSIONS ARE IN INCHES [MM]
 TOLERANCES: EXCEPT AS NOTED
 INCHES: .X ± .10 ØXX ± .015
 .XX ± .020 ØXXX ± .010
 .XXX ± .015

APPROVALS: DRAWN: DY DATE: 7/13/10
 CHECKED: APPROVED:

ADAM TECH
 909 Rahway Avenue, Union, NJ 07083
 Phone: 908-687-5000 Fax: 908-687-5710
 TITLE: STEREO PHONE JACK, 3.5mm

SIZE	PART NO.	REV.
X	ASJ-130-1A	-
REF: S0002C	SCALE: NTS	SHEET 1 OF 1