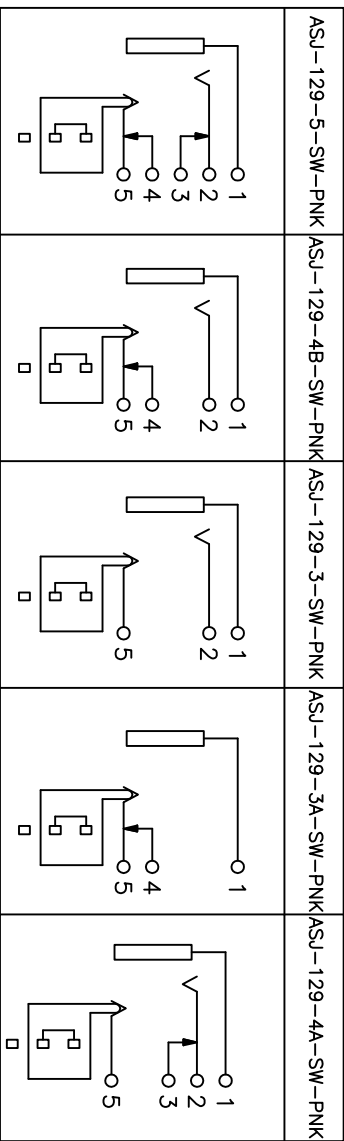
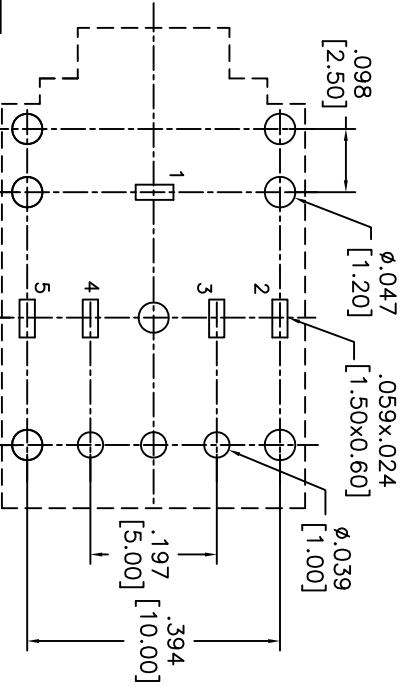
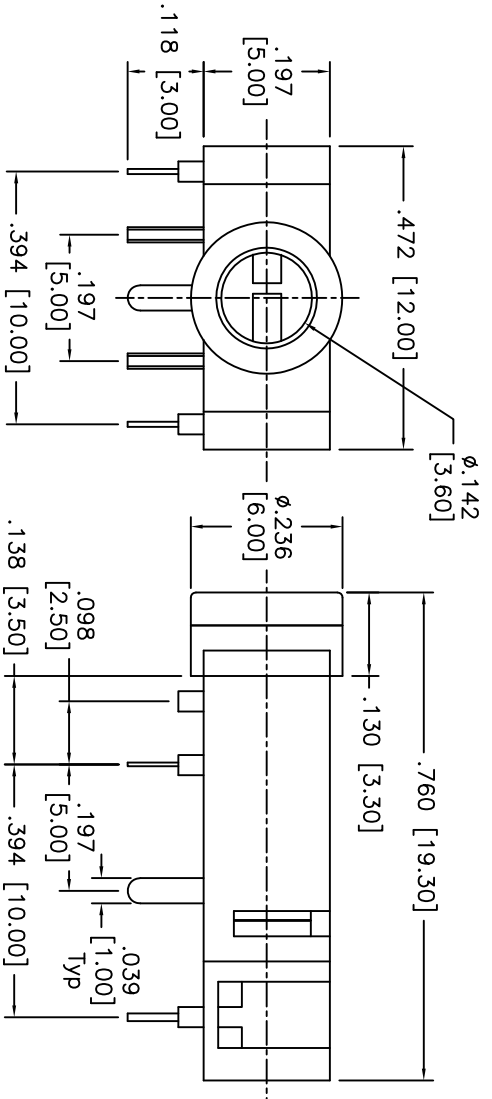


Rev	AWO #	Description	Date	Appr
-		RELEASED	6/11/10	

APPROVED: _____
 DATE: _____ TITLE: _____



SPECIFICATIONS:

- Material: Insulator: PBT, rated UL 94V-0
- Insulator color: Pink
- Contacts: Copper Alloy, Tin or Silver plated.
- Electrical:
 - Operating voltage: 30 VDC max.
 - Current rating: 1.0 Amp max.
 - Contact resistance: 30 mohms max.
 - Insulation resistance: 100 Mohms min.
 - Dielectric withstanding voltage: 500 VAC for 1 minute
- Temperature Rating:
 - Operating temperature: -25°C to +70°C
- Environmental:
 - Lead free, RoHS compliant.
- Recommended soldering temp: 235°C for 5 sec.



ADAM TECH

909 Railway Avenue, Union, NJ 07083
 Phone: 908-687-5000 Fax: 908-687-5710

STEREO PHONE JACK, 3.5mm

UNLESS OTHERWISE SPECIFIED ALL DIMENSIONS ARE IN INCHES [MM]		TOLERANCES: EXCEPT AS NOTED	
.X	± .10	ØXX	± .10
.XX	± .020	ØXXX	± .015
.XXX	± .015	ØXXXX	± .010
APPROVALS	DATE	TITLE	
DRAWN	DY	6/11/10	
CHECKED		SIZE PART NO.	
APPROVED		X ASJ-129-X-SW-PNK	
REF: S00030C		SCALE: NTS	SHEET 1 OF 1