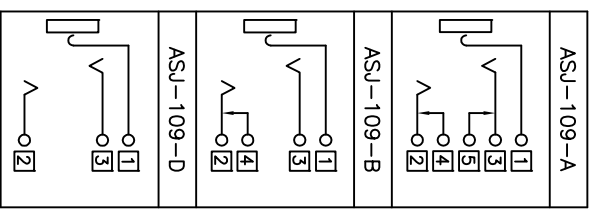
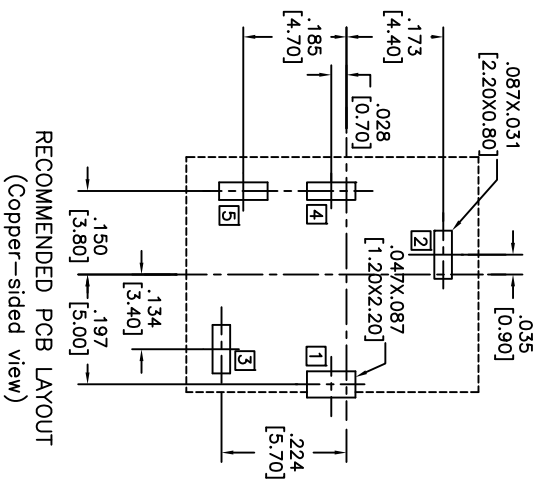
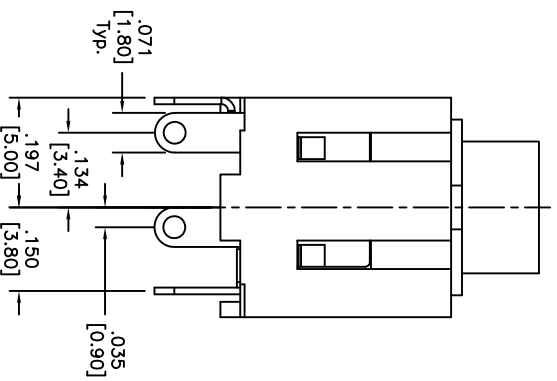
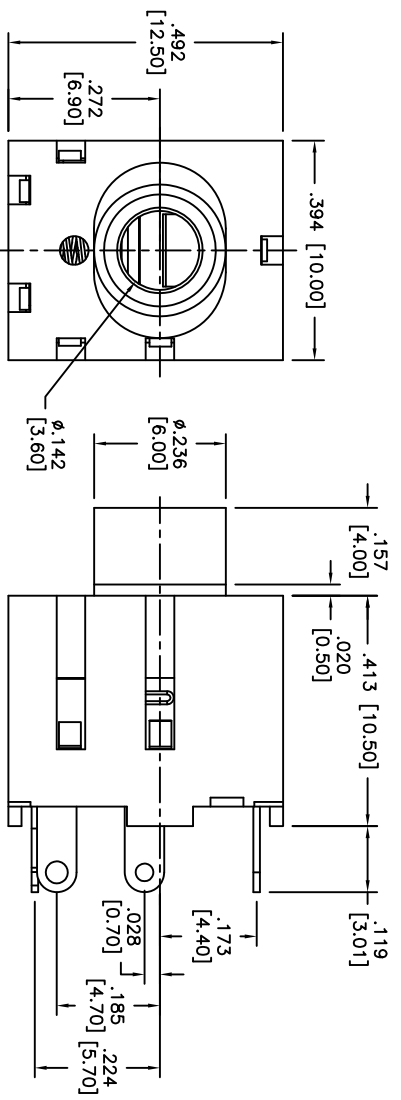


Rev	AWO #	Description	Date	Appr
-		RELEASED	3/11/10	

APPROVED: _____
 DATE: _____ TITLE: _____



RECOMMENDED PCB LAYOUT
 (Copper-sided view)

SPECIFICATIONS:

- Material: PBT, rated UL 94V-0
- Insulator color: Black
- Contacts: Copper Alloy
- Bushing: Brass, Nickel plated
- Plating: Silver over Copper underplate
- Electrical:
 - Operating voltage: 30 VDC max.
 - Current rating: 0.5 Amp max.
 - Contact resistance: 50 mohms max.
 - Insulation resistance: 100 Mohms min.
 - Dielectric withstanding voltage: 500 VAC for 1 minute
- Temperature Rating:
 - Operating temperature: -25°C to +85°C
 - Environmental: Lead free, RoHS compliant.
 - Recommended soldering temp: 235°C for 5 sec.



UNLESS OTHERWISE SPECIFIED
 ALL DIMENSIONS ARE IN INCHES [MM]
 TOLERANCES: EXCEPT AS NOTED
 INCHES Holes ±.10
 .XX ±.020 ØXXX ±.015
 .XXX ±.015 ØXXXX ±.010

ADAM TECH
 909 Rahway Avenue, Union, NJ 07083
 Phone: 908-687-5000 Fax: 908-687-5710

APPROVALS	DATE
DRAWN	3/11/10
CHECKED	
APPROVED	

SIZE	PART NO.	REV.
X	ASJ-109-X	-
REF: S0002C	SCALE: NTS	SHEET 1 OF 1