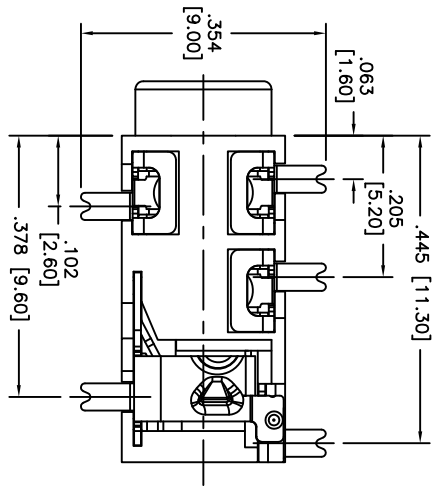
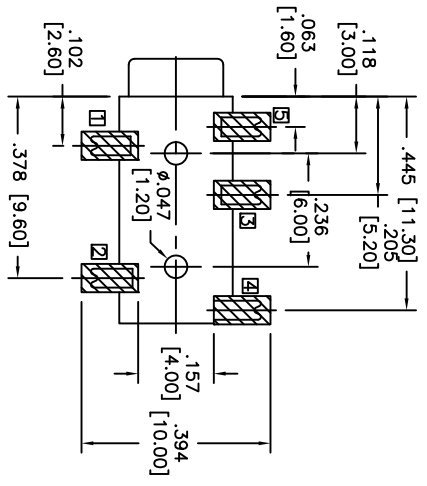
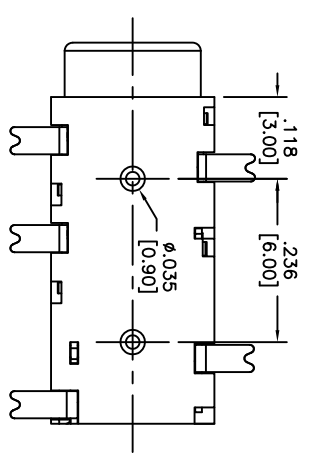
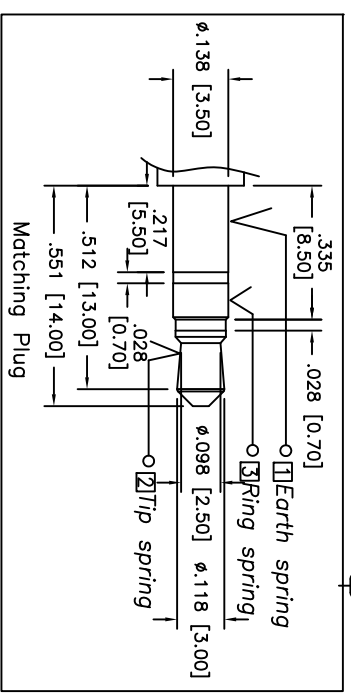
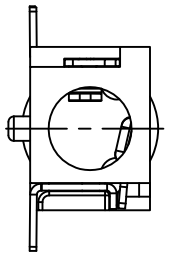
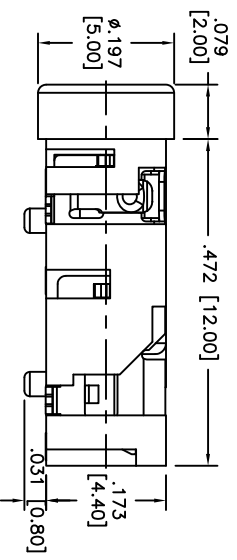
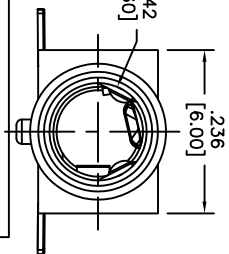


Rev	AWO #	Description	Date	Appr
-		RELEASED	7/30/10	

APPROVED: _____
 DATE: _____ TITLE: _____



RECOMMENDED PCB LAYOUT
 (Copper-sided view)



ASJ-106-B	ASJ-106-C	ASJ-106-D

SPECIFICATIONS:

Material: LCP, rated UL 94V-0
 Insulator color: Black
 Contacts: Copper Alloy
 Plating: Silver over Copper underplate

Electrical:
 Operating voltage: 30 VDC max.
 Current rating: 0.5 Amp max.
 Contact resistance: 30 mohms max.
 Insulation resistance: 100 Mohms min.
 Dielectric withstanding voltage: 500 VAC for 1 minute

Temperature Rating:
 Operating temperature: -25°C to +85°C
 Environmental:
 Lead free, RoHS compliant.

Recommended soldering temp: 260°C for 5 sec.



ADAM TECH

909 Rahway Avenue, Union, NJ 07083
 Phone: 908-687-5000 Fax: 908-687-5710

STEREO PHONE JACK, 3.5mm

UNLESS OTHERWISE SPECIFIED ALL DIMENSIONS ARE INCHES [MM]		TOLERANCES EXCEPT AS NOTED	
.X	± .10	ØX	± .10
.XX	± .020	ØXXX	± .015
.XXX	± .015	ØXXXX	± .010
APPROVALS	DATE		
DRAWN	DY	7/30/10	
CHECKED			
APPROVED			
SIZE	PART NO.	ASJ-106-X	REV.
REF: S0002C	SCALE: NTS		SHEET 1 OF 1