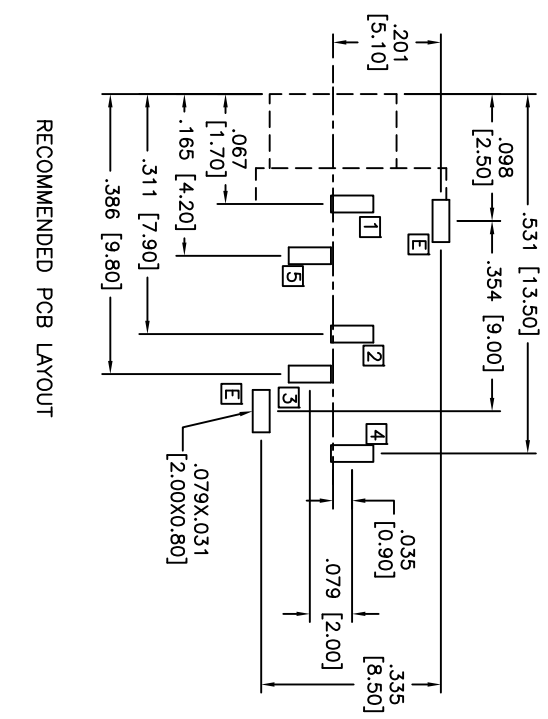
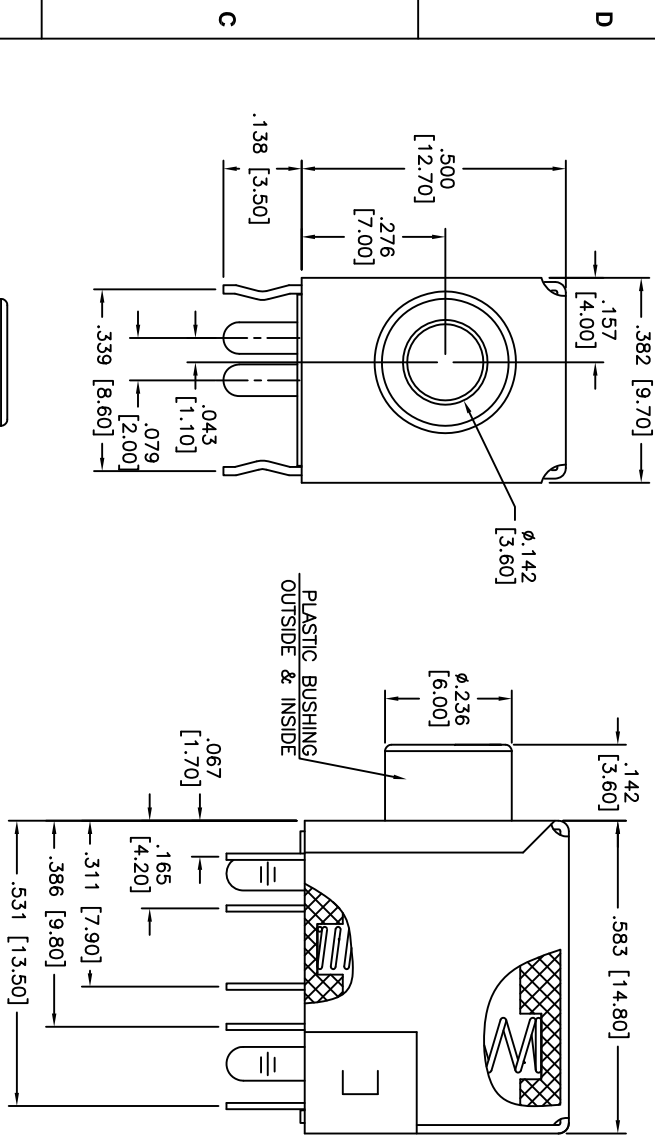
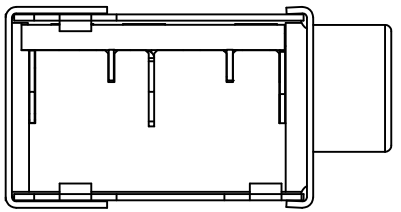


Rev	AWO #	Description	Date	Appr
-		RELEASED	10/27/10	

APPROVED: _____
 DATE: _____ TITLE: _____



RECOMMENDED PCB LAYOUT



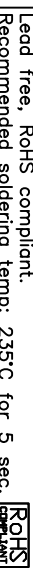
CONTACT FORM	ASJ-100-3-PBP	ASJ-100-3A-PBP	ASJ-100-4B-PBP	ASJ-100-5-PBP
Schematic				

SPECIFICATIONS:

Material: Housing: PBT, rated UL94V-0
 Contacts: Copper Alloy
 Shell: Steel, Nickel plated
 Plating: Tin over Copper underplate

Electrical: Rating: DC 30V, 0.5A max.
 Contact Resistance: 30 mOhm Max
 Insulation Resistance: 100 Mohm Min @ DC 250V

Environmental: Dielectric Withstanding Voltage: 500V AC For 1 Minute.
 Lead free, RoHS compliant.
 Recommended soldering temp: 235°C for 5 sec.



ADAM TECH

909 Rahway Avenue, Union, NJ 07083
 Phone: 908-687-5000 Fax: 908-687-5710

3.5MM STEREO PHONE JACK
PLASTIC BUSHING OUTSIDE & INSIDE

UNLESS OTHERWISE SPECIFIED ALL DIMENSIONS ARE INCHES [MM] TOLERANCES: EXCEPT AS NOTED		INCHES		HOLDS	
.X	± .10	ØXX	± .10		
.XX	± .020	ØXXX	± .015		
.XXX	± .015	ØXXXX	± .010		
APPROVALS		DATE			
DRAWN	DY	10/27/10			
CHECKED					
APPROVED					
REF:	S00002C	SCALE:	NTS	SHEET	1 OF 1