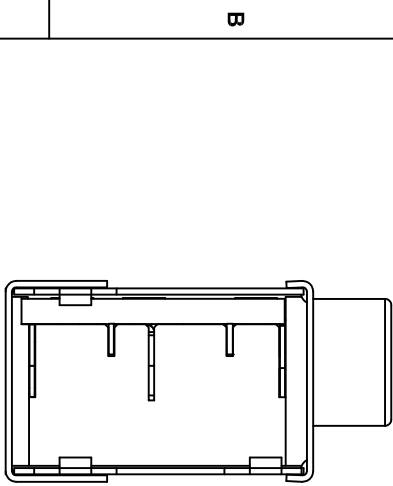
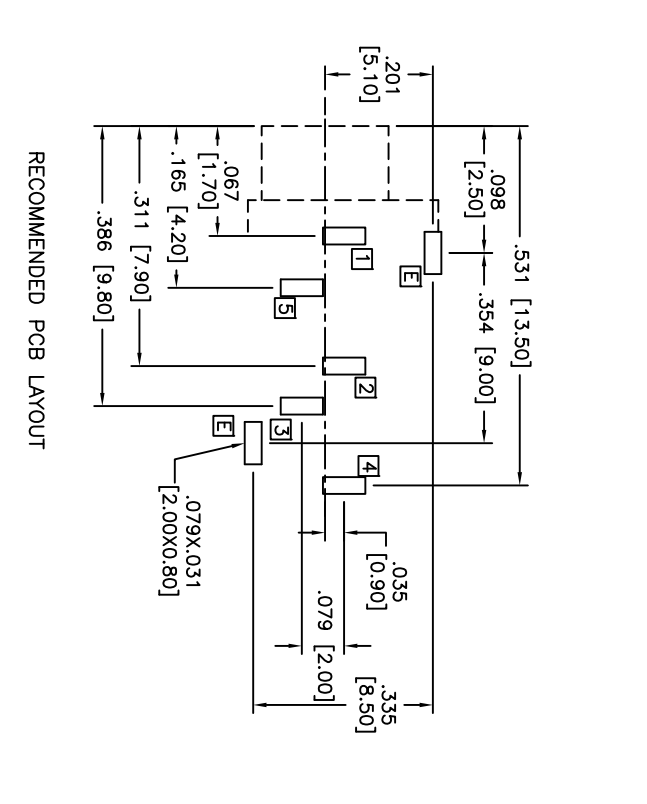
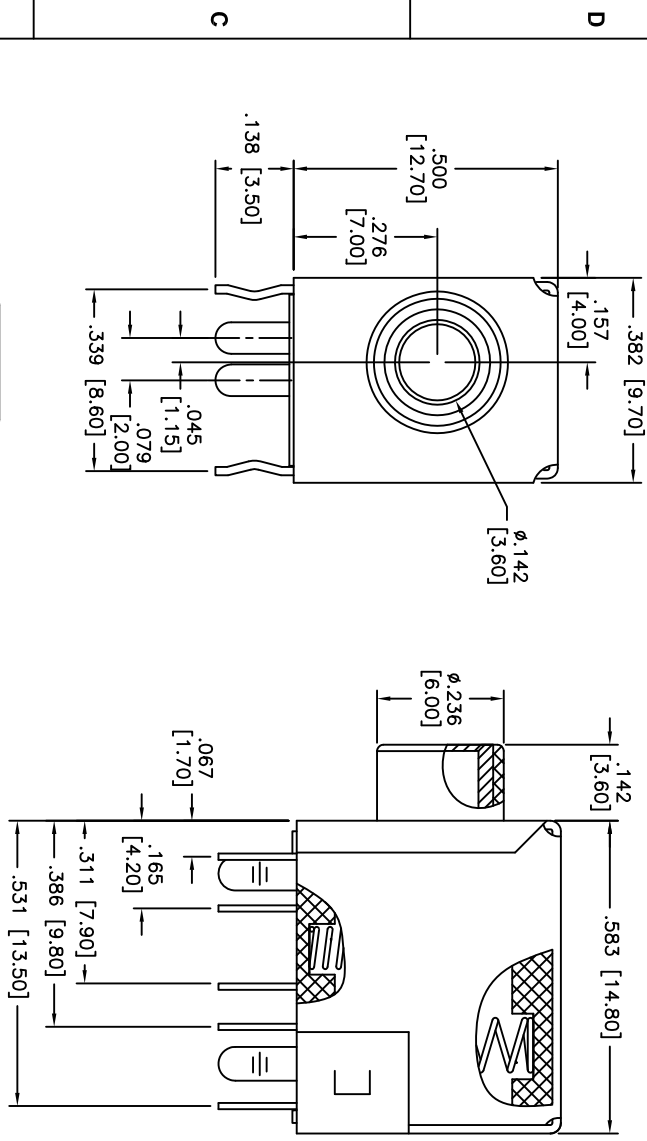


Rev	AWO #	Description	Date	Appr
-		RELEASED	3/27/09	

APPROVED: \_\_\_\_\_  
 DATE: \_\_\_\_\_ TITLE: \_\_\_\_\_



CONTACT FORM	ASJ-100-3-PBM	ASJ-100-3A-PBM	ASJ-100-4B-PBM	ASJ-100-5-PBM
Schematic				

**SPECIFICATIONS:**

Material: Housing: Nylon 9T, Rated UL94V-0  
 Contacts: Copper Alloy  
 Shell: Steel, Nickel plated  
 Plating: Tin over Copper underplate  
 Electrical: Rating: DC 30V, 0.5A max.  
 Contact Resistance: 30 mOhm Max  
 Insulation Resistance: 100 Mohm Min@ DC 250V  
 Dielectric Withstanding Voltage: 500V AC For 1 Minute.  
 Environmental: Lead free, RoHS compliant.  
 Recommended soldering temp: 260°C for 5 sec.



**ADAM TECH**

909 Rahway Avenue, Union, NJ 07083  
 Phone: 908-687-5000 Fax: 908-687-5710

3.5MM STEREO PHONE JACK

UNLESS OTHERWISE SPECIFIED ALL DIMENSIONS ARE INCHES [MM] TOLERANCES: EXCEPT AS NOTED INCHES HOLE SIZES		DATE	
.X ± .10	ØXX ± .10	DATE	
.XX ± .020	ØXXX ± .015		
.XXX ± .015	ØXXXX ± .010		
APPROVALS	DATE		
DRAWN	DY	3/27/09	
CHECKED			
APPROVED			
SIZE	PART NO.	REV.	
X	ASJ-100-X-PBM-HT		
REF:	S00002C	SCALE:	NTS
		SHEET	1 OF 1