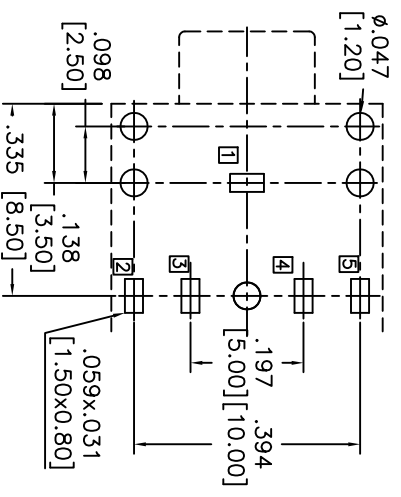
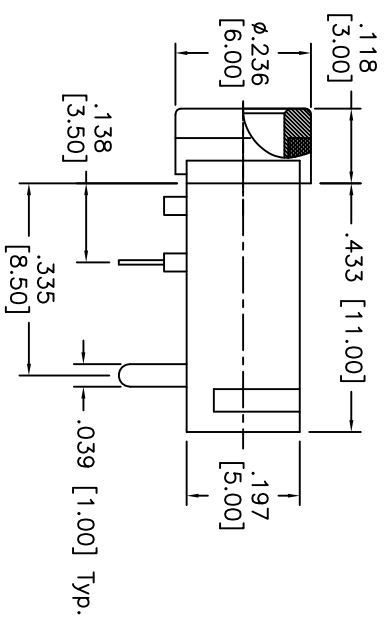
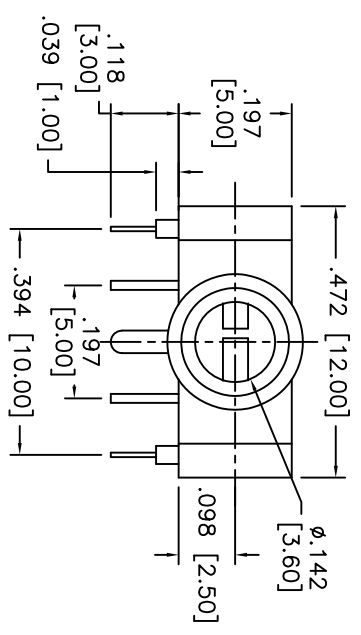
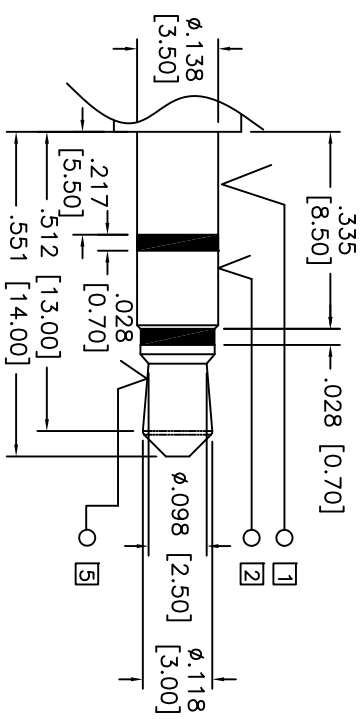
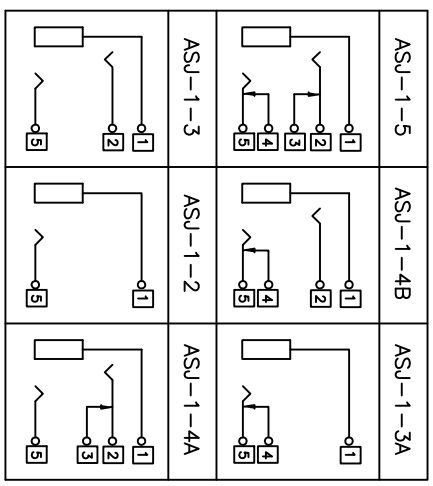
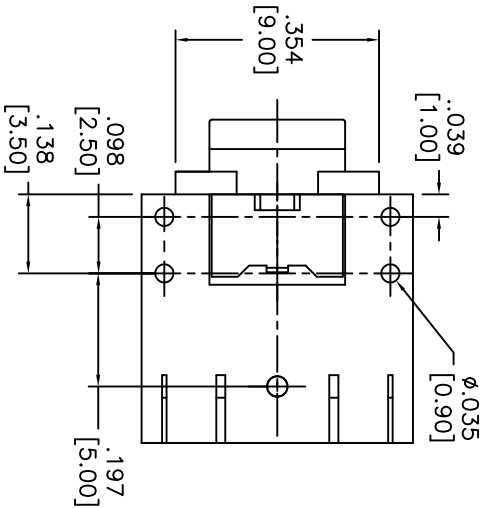


Rev	AWO #	Description	Date	Appr
-		RELEASED	7/12/10	

APPROVED: _____
 DATE: _____ TITLE: _____



RECOMMENDED PCB LAYOUT



MATING PLUG

SPECIFICATIONS:

Material: Insulator: PBT, rated UL 94V-0
 Contacts color: Black
 Bushing: Copper Alloy, Tin plated.
 Electrical: Operating voltage: 30 VDC max.
 Contact rating: 0.5 Amp max.
 Contact resistance: 50 mohms max.
 Insulation resistance: 100 Mohms min.
 Dielectric withstanding voltage: 500 VAC for 1 minute
 Temperature Rating: Operating temperature: -20°C to +70°C
 Environmental: Lead free, RoHS compliant.
 Recommended soldering temp: 235°C for 5 sec.



ADAM TECH

909 Rahway Avenue, Union, NJ 07083
 Phone: 908-687-5000 Fax: 908-687-5710

STEREO PHONE JACK, 3.5mm

UNLESS OTHERWISE SPECIFIED ALL DIMENSIONS ARE IN INCHES [MM] TOLERANCES: EXCEPT AS NOTED		INCHES		HOLDS	
.X	± .10	ØX	± .10		
.XX	± .020	ØXX	± .015		
.XXX	± .015	ØXXX	± .010		
APPROVALS	DATE	TITLE			
DRAWN	DY	7/12/10			
CHECKED		SIZE PART NO.			
APPROVED		ASJ-1-X			
		REF:	S00002C	SCALE:	NIS
		SHEET:	1	OF:	1