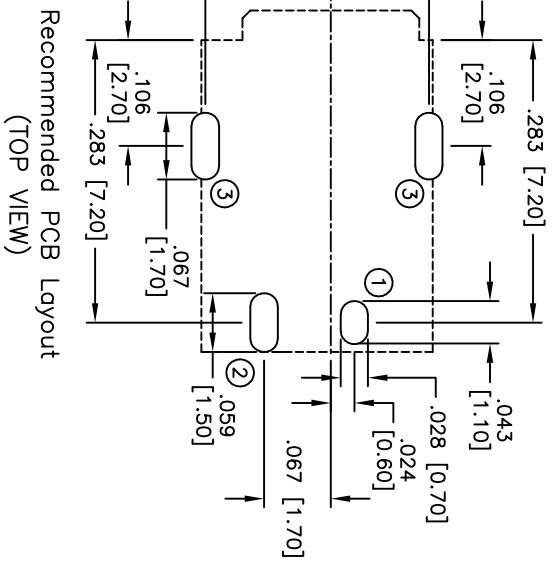
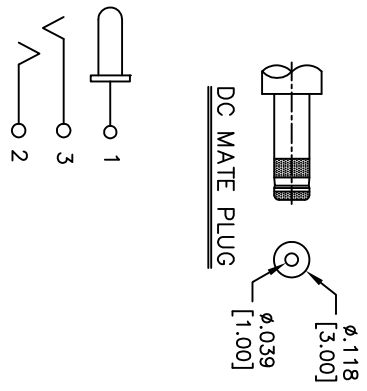
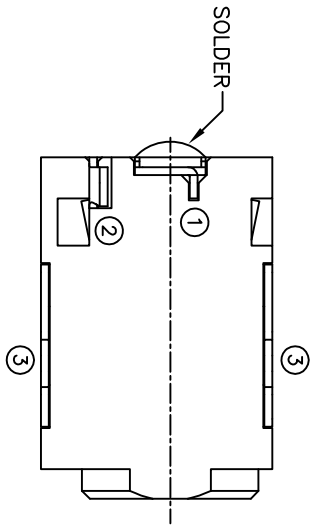
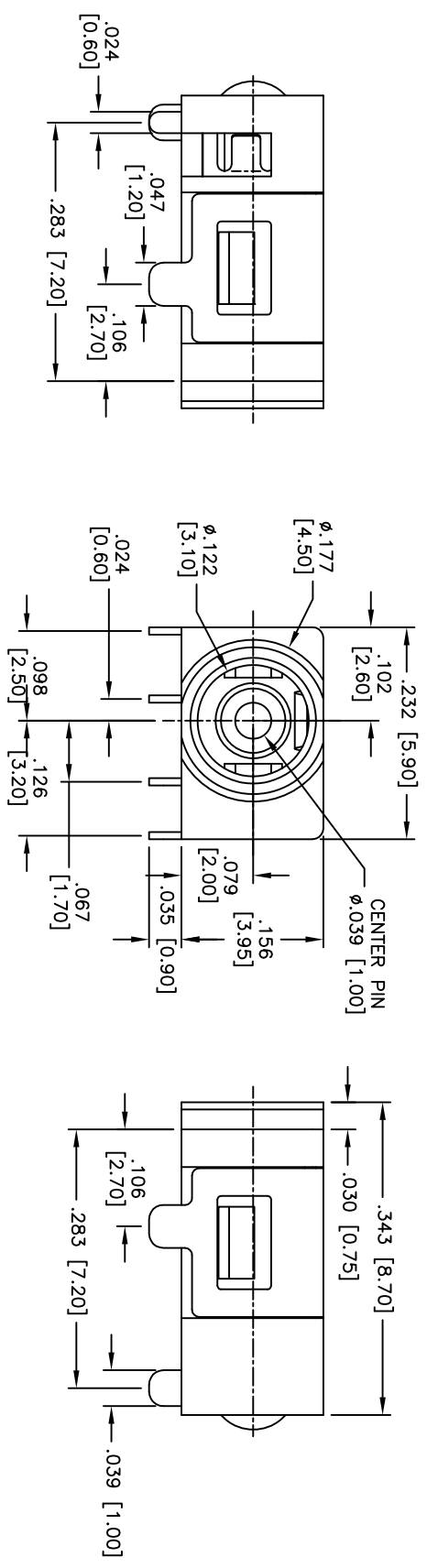


Rev	AWO #	Description	Date	Appr
-		RELEASED	5/18/10	

APPROVED: _____
 DATE: _____ TITLE: _____



Recommended PCB Layout
(TOP VIEW)

SPECIFICATIONS:

- Material: PA6T, rated UL 94V-0
- Insulator color: Black
- Center Pin: Brass
- Contacts: Copper Alloy
- Plating: Silver over Nickel underplate
- Electrical:
 - Operating voltage: 16 VDC max.
 - Current rating: 3.5 Amps
 - Contact resistance: 30 mohms max. initial
 - Insulation resistance: 50 Mohms min.
 - Dielectric withstanding voltage: 500 VAC for 1 minute
 - Temperature Rating:
 - Operating temperature: -25°C to +85°C
- Environmental:
 - Lead free, RoHS compliant
 - Recommended soldering temp: 260°C for 5 sec.



UNLESS OTHERWISE SPECIFIED ALL DIMENSIONS ARE INCHES [MM]	
TOLERANCES: EXCEPT AS NOTED	
INCHES	HOLDS
.X ± .10	ØX ± .10
.XX ± .020	ØXX ± .015
.XXX ± .015	ØXXX ± .010
APPROVALS	DATE
DRAWN	DY
CHECKED	
APPROVED	

ADAM TECH
 909 Railway Avenue, Union, NJ 07083
 Phone: 908-687-5000 Fax: 908-687-5710

TITLE: DC POWER JACK, HI-CURRENT, 1.00mm CENTER PIN

SIZE: X PART NO.: ADC-H-093-3-HT

REF: S00021C SCALE: NTS SHEET 1 OF 1