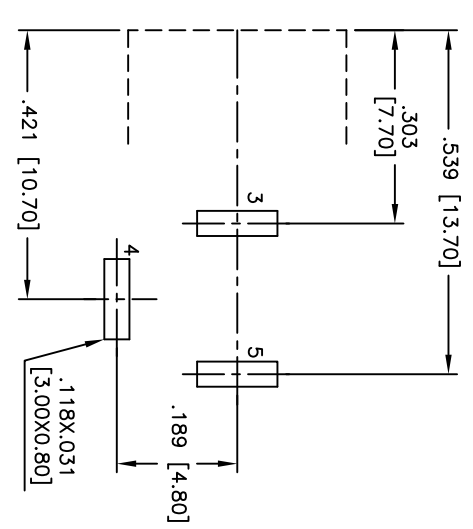
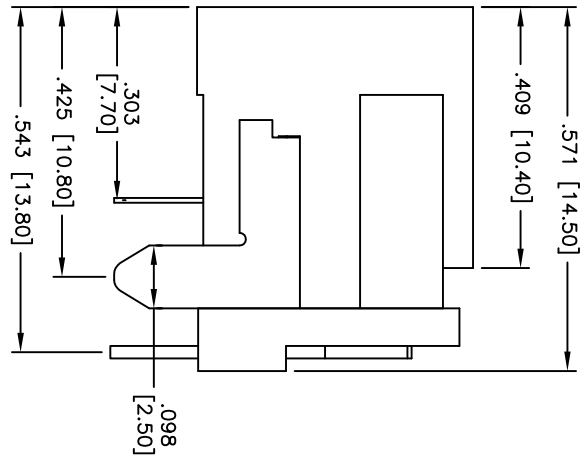
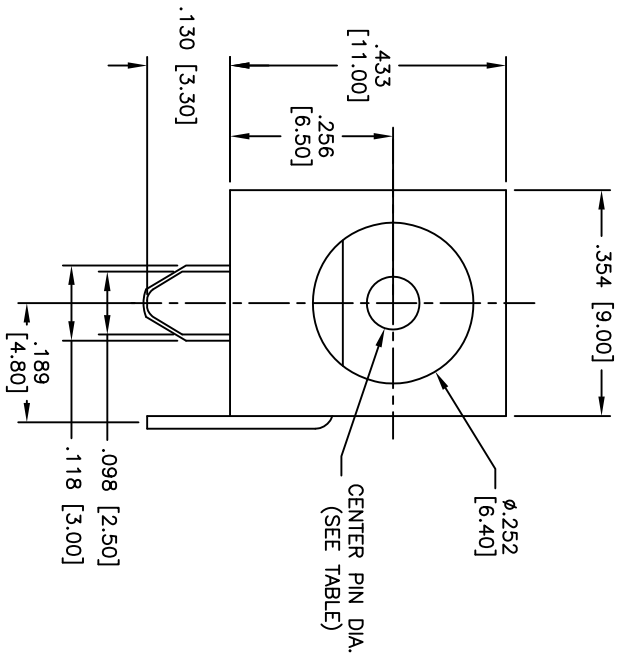


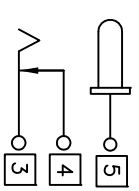
Rev	AWO #	Description	Date	Appr
-		RELEASED	5/17/10	

APPROVED: _____
 DATE: _____ TITLE: _____



Recommended PCB Layout
(TOP VIEW)

PART NO.	CENTER PIN DIA.
ADC-H-091-1	Ø.079 [2.00]
ADC-H-091-2	Ø.098 [2.50]
ADC-H-091-5	Ø.093 [2.35]



SPECIFICATIONS:
 Material: Insulator: Thermoplastic, rated UL 94V-0
 Insulator color: Black
 Contacts: Copper Alloy
 Plating: Silver over Nickel underplate
 Electrical: Operating voltage: 16 VDC max.
 Current rating: 5.0 Amps
 Contact resistance: 30 mohms max.
 Insulation resistance: 100 Mohms min.
 Dielectric withstanding voltage: 500 VAC for 1 minute
 Temperature Rating: Operating temperature: -25°C to +70°C
 Environmental: Lead free, RoHS compliant
 Recommended soldering temp: 235°C for 5 sec.



UNLESS OTHERWISE SPECIFIED
 ALL DIMENSIONS ARE IN INCHES [MM]
 TOLERANCES: EXCEPT AS NOTED
 INCHES: .X ±.10 ØXX ±.015
 .XX ±.020 .XXX ±.015
 .XXX ±.015
 APPROVALS: _____ DATE: _____

ADAM TECH
 909 Rahway Avenue, Union, NJ 07083
 Phone: 908-687-5000 Fax: 908-687-5710
 TITLE: DC POWER JACK, HI-CURRENT,
 2.00mm, 2.50mm, 2.35mm CENTER PIN

REV.	DATE	BY	CHKD	APP'D
-				

SIZE	PART NO.	SCALE	SHEET 1 OF 1
X	ADC-H-091-X	NIS	

6 5 4 3 2 1