

Rev	AWO #	Description	Date	Appr
-		RELEASED	4/19/10	

6

5

4

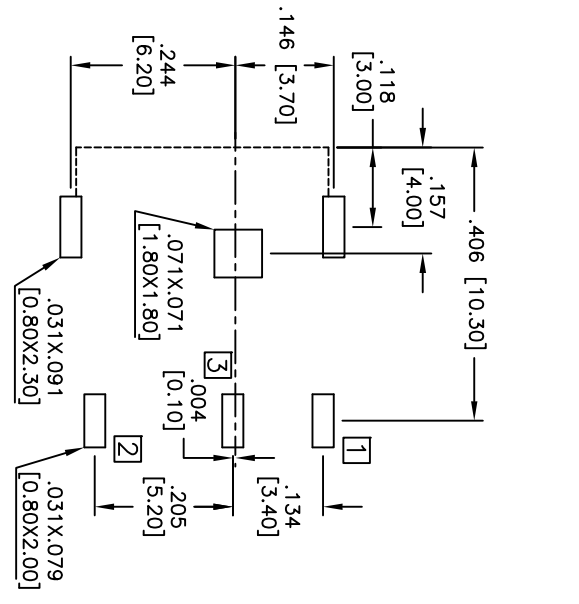
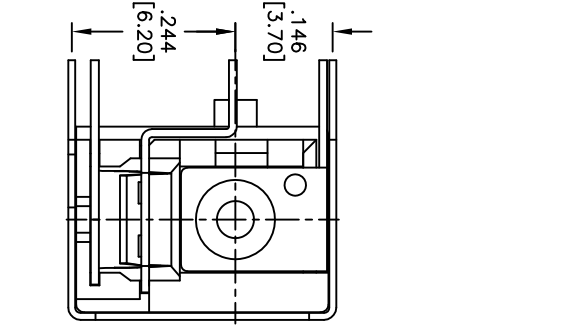
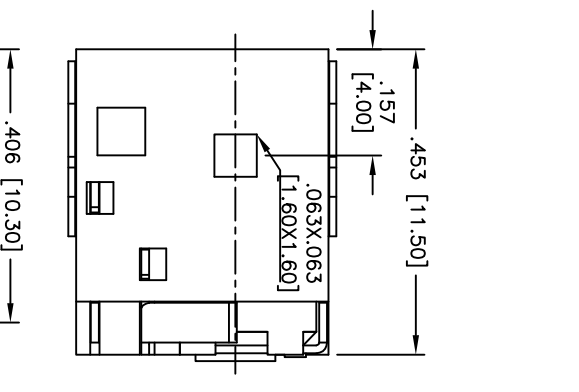
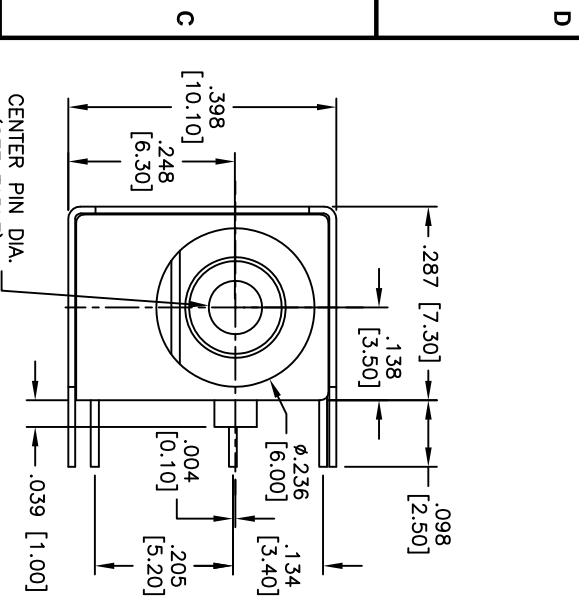
3

2

1

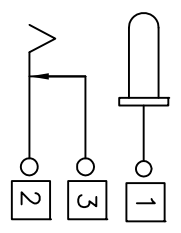
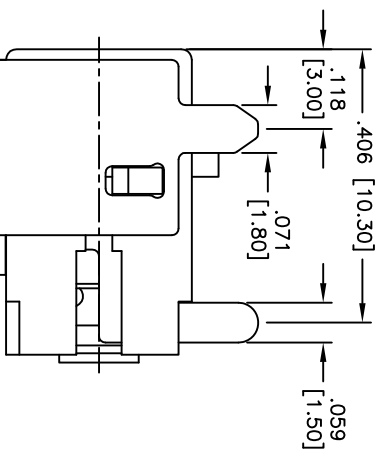
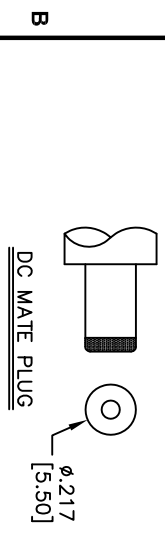
APPROVED: _____

DATE: _____ TITLE: _____



Recommended PCB Layout
(BOTTOM VIEW)

PART NO.	CENTER PIN DIA.
ADC-H-045T-1	φ.079 [2.00]
ADC-H-045T-2	φ.098 [2.50]
ADC-H-045T-9	φ.065 [1.65]



SPECIFICATIONS:

Material: Insulator: PBT, Glass reinforced, rated UL 94V-0

Insulator color: Black

Center Pin: Brass, Nickel plated

Contacts: Copper Alloy

Plating:

Silver over Nickel underplate

Electrical:

Operating voltage: 16 VDC max.

Current rating: 3.5 Amp max. for 1.65mm center pin

5.0 Amps max for 2.0mm & 2.5mm

Contact resistance: 30 mohms max. initial

Insulation resistance: 50 Mohms min.

Dielectric withstanding voltage: 500 VAC for 1 minute

Temperature Rating:

Operating temperature: -25°C to +70°C

Environmental:

Lead free, RoHS compliant

Recommended soldering temp: 235°C for 5 sec.

ADAM TECH

909 Rahway Avenue, Union, NJ 07083
Phone: 908-687-5000 Fax: 908-687-5710

TITLE: DC POWER JACK, HI-CURRENT,
2.00mm, 2.50mm, 1.65mm CENTER PIN

UNLESS OTHERWISE SPECIFIED ALL DIMENSIONS ARE INCHES [MM]		TOLERANCES: EXCEPT AS NOTED INCHES		HOLDS	
.X	± .10	ØXX	± .10		
.XX	± .020	ØXXX	± .015		
.XXX	± .015	ØXXXX	± .010		
APPROVALS		DATE			
DRAWN	DY	4/09/10			
CHECKED					
APPROVED					
SIZE	PART NO.	SCALE	NTS	SHEET	1 OF 1
X	ADC-H-045T-X				
REF:	S00021C				

6

5

4

3

2

1