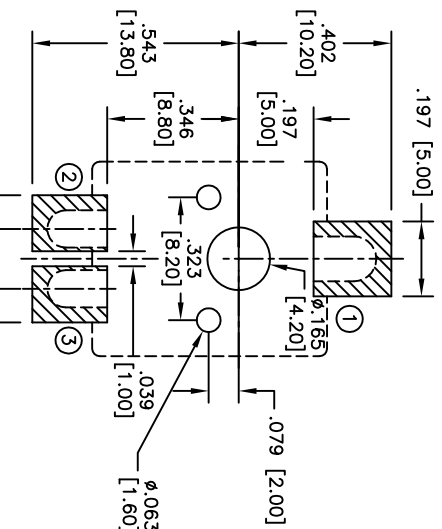
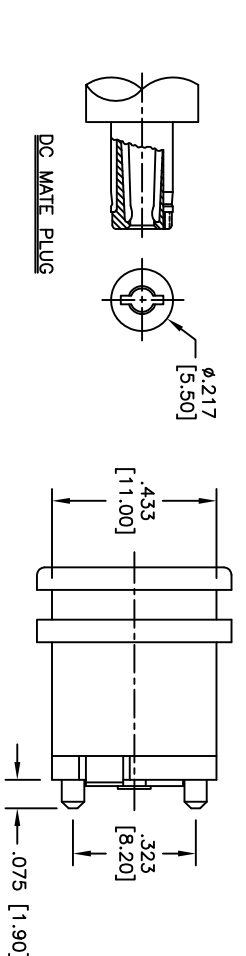
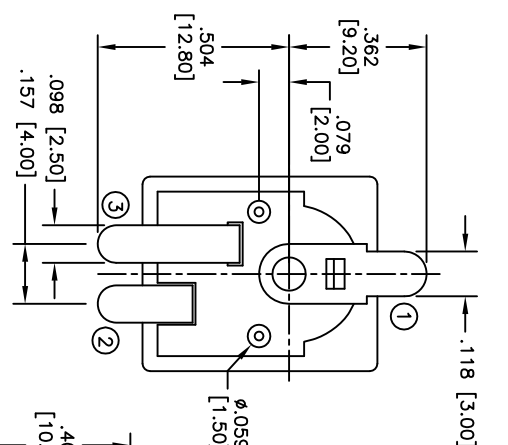
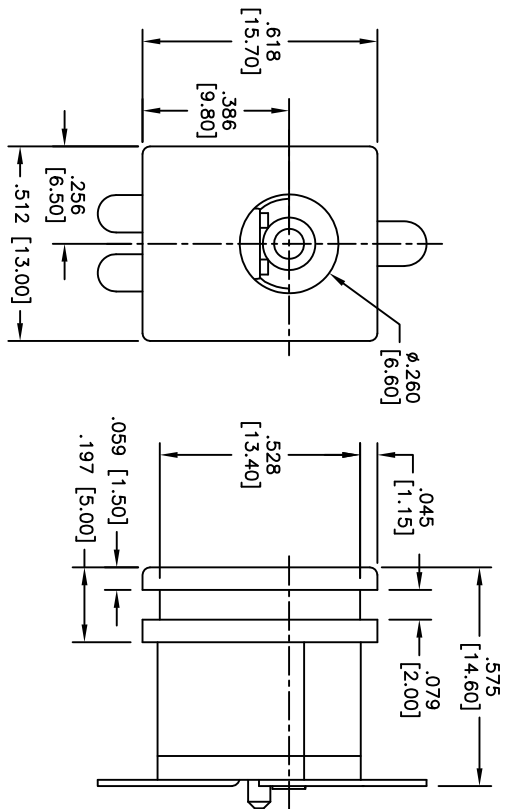
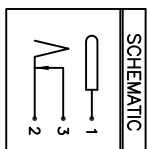


Rev	AWO #	Description	Date	Appr
-		RELEASED	1/12/11	

APPROVED: _____
 DATE: _____ TITLE: _____



P/N	Center Pin Dia.
ADC-H-042-1-SMT	.079 [2.00]
ADC-H-042-2-SMT	.098 [2.50]



RECOMMENDED SOLDER PAD LAYOUT
(TOP VIEW)

SPECIFICATIONS:
 Material: Silver over Copper underplate
 Insulator: PBT, rated UL 94V-0
 Insulator color: Black
 Center Pin: Copper, Nickel plated
 Contacts: Copper Alloy
 Plating: Silver over Copper underplate
 Electrical:
 Operating voltage: 16 VDC max.
 Current rating: 5 Amp max.
 Contact resistance: 50 mohms max. initial
 Insulation resistance: 50 Mohms min.
 Temperature Rating:
 Operating temperature: -25°C to +85°C
 Environmental:
 Lead free, RoHS compliant
 Recommended soldering temp: 235°C for 5 sec.



ADAM TECH

909 Rahway Avenue, Union, NJ 07083
 Phone: 908-687-5000 Fax: 908-687-5710

DC POWER JACK, 2.00mm, 2.50mm CENTER PIN
 HIGH CURRENT, SMT TYPE

UNLESS OTHERWISE SPECIFIED ALL DIMENSIONS ARE INCHES [MM] TOLERANCES: EXCEPT AS NOTED		INCHES		Holes	
.X	± .10	Ø.X	± .10		
.XX	± .020	Ø.XXX	± .015		
.XXX	± .015	Ø.XXX	± .010		
APPROVALS		DATE		TITLE	
DRAWN	DY	1/12/11		DC POWER JACK, 2.00mm, 2.50mm CENTER PIN	
CHECKED				HIGH CURRENT, SMT TYPE	
APPROVED				ADAM TECH	
SIZE		PART NO.		REV.	
X		ADC-H-042-X-SMT		1	
REF: S00021C		SCALE: NTS		SHEET 1 OF 1	