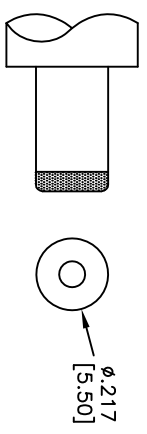
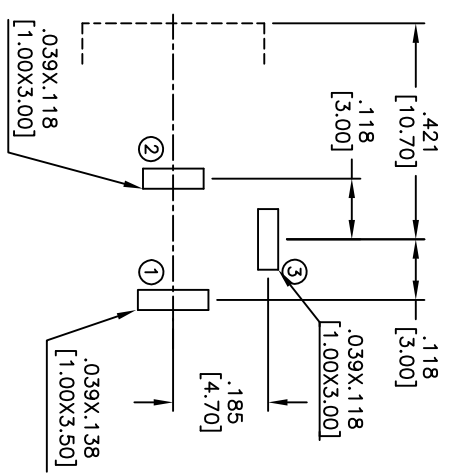
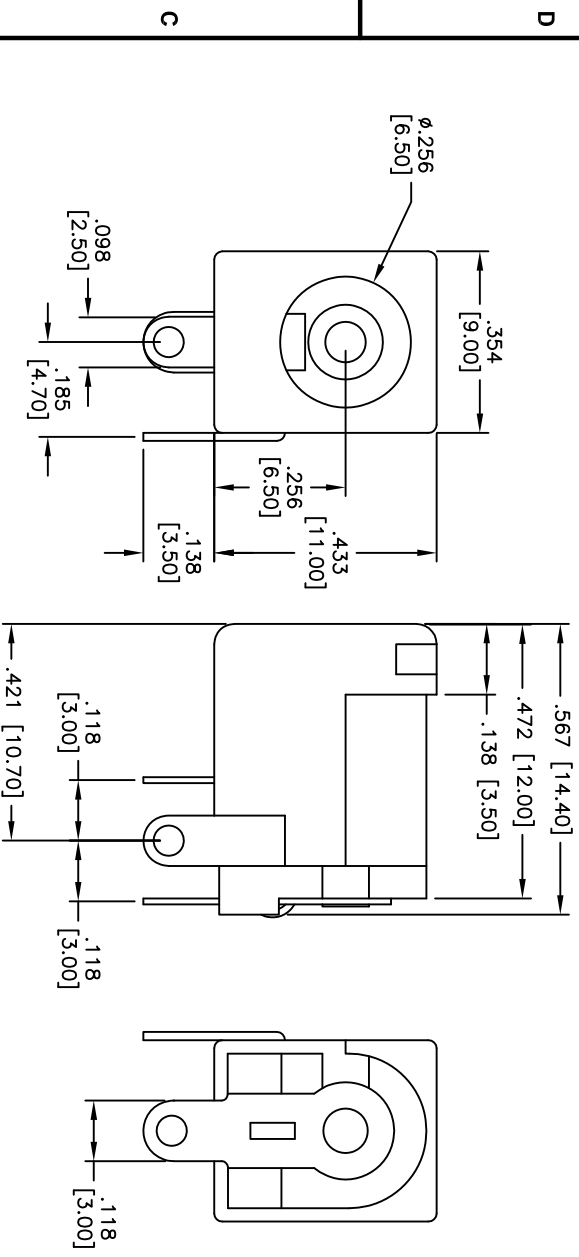


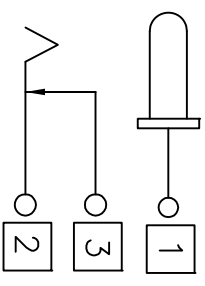
Rev	AWO #	Description	Date	Appr
-		RELEASED	3/18/10	

APPROVED: \_\_\_\_\_  
 DATE: \_\_\_\_\_ TITLE: \_\_\_\_\_



**DC MATE PLUG**

PART NO.	X
ADC-H-002G-1-N	$\phi.079$ [2.00]
ADC-H-002G-2-N	$\phi.098$ [2.50]
ADC-H-002G-9-N	$\phi.065$ [1.65]



**SPECIFICATIONS:**  
 Material: PBT, Glass reinforced, rated UL 94V-0  
 Insulator color: Black  
 Center Pin: Brass, Nickel plated  
 Contacts: Copper Alloy  
 Plating: Silver over Nickel underplate  
 Electrical:  
 Operating voltage: 16 VDC max.  
 Current rating: 3.5 Amp max. for 1.65mm center pin  
 5.0 Amps max for 2.0mm & 2.5mm  
 Contact resistance: 30 mohms max. initial  
 Dielectric withstanding voltage: 500 VAC for 1 minute  
 Temperature Rating: -25°C to +70°C  
 Environmental:  
 Lead free, RoHS compliant  
 Recommended soldering temp: 235°C for 5 sec.

UNLESS OTHERWISE SPECIFIED	
ALL DIMENSIONS ARE IN INCHES [MM]	
TOLERANCES: EXCEPT AS NOTED	
INCHES	HOLDS
.X ± .10	± .10
.XX ± .020	± .015
.XXX ± .015	± .010
APPROVALS	DATE
DRAWN	DY
CHECKED	
APPROVED	

**ADAM TECH**  
 909 Railway Avenue, Union, NJ 07083  
 Phone: 908-687-5000 Fax: 908-687-5710

TITLE: DC POWER JACK HI-CURRENT WITH NOTCH  
 2.00mm, 2.50mm, 1.65mm CENTER PIN

SIZE: X  
 PART NO.: ADC-H-002G-X-N  
 REF: S0021C  
 SCALE: NTS  
 SHEET 1 OF 1