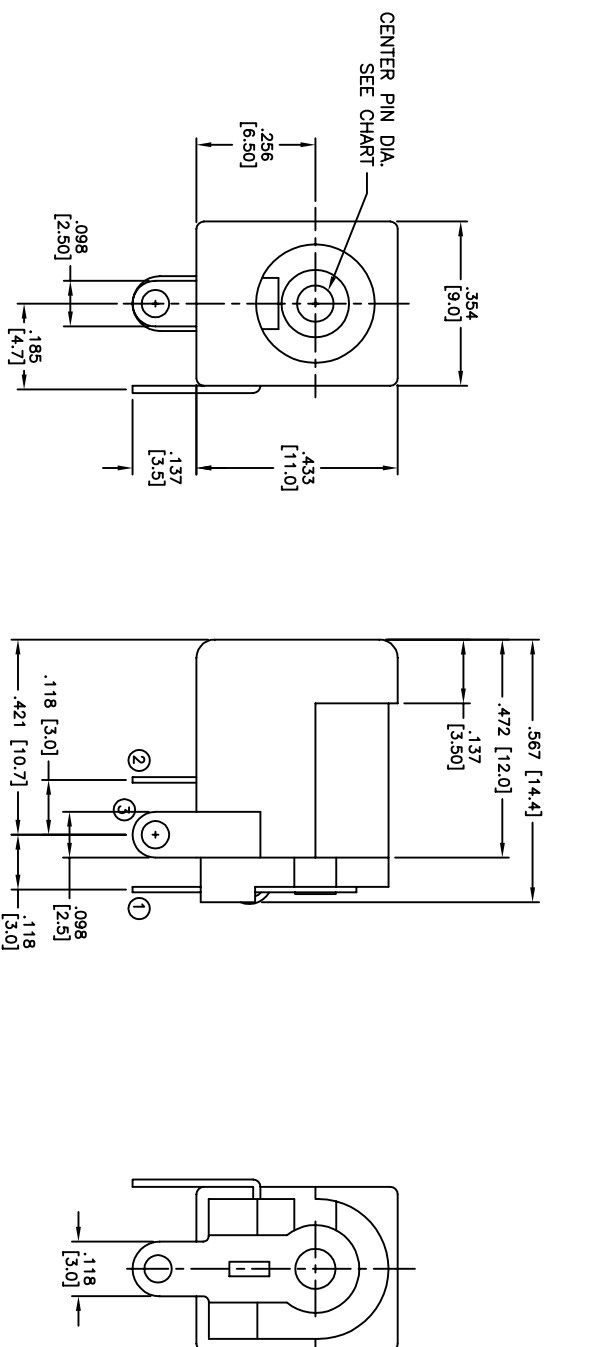
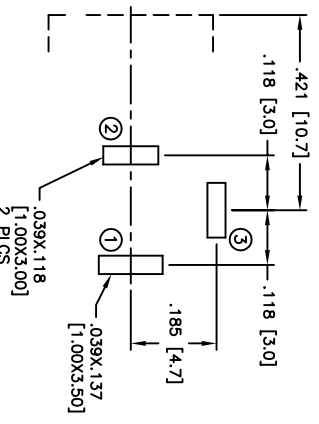
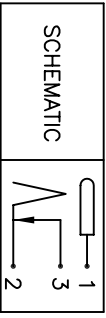


Rev	AWO #	Description	Date	Appr
-		RELEASED	12/1/05	

APPROVED: _____ TITLE: _____
 DATE: _____



PART NO.	CENTER PIN DIA.
ADC-H-002-1	.079 [2.00]
ADC-H-002-2	.098 [2.50]



SPECIFICATIONS:

Material: Insulator: PBT, Glass reinforced, rated UL 94V-0
 Insulator color: Black
 Center Pin: Brass, Nickel plated
 Contacts: Copper Alloy, Silver plated
 Plating: Silver over Nickel underplate
 Electrical: Operating voltage: 16 VDC max.
 Current rating: 5 Amp max.
 Contact resistance: 30 mohms max. initial
 Insulation resistance: 50 Mohms min.
 Dielectric withstanding voltage: 500 VAC for 1 minute
 Temperature Rating: Operating temperature: -25°C to +85°C
 Environmental: Lead free, RoHS compliant
 Recommended soldering temp: 235 for 5 sec.



ADAM TECH

909 Railway Avenue, Union, NJ 07083
 Phone: 908-687-5000 Fax: 908-687-5710

TITLE: DC POWER JACK, RIGHT ANGLE, PCB HI CURRENT

UNLESS OTHERWISE SPECIFIED ALL DIMENSIONS ARE INCHES [MM]	
TOLERANCES: EXCEPT AS NOTED	HOLDS
.X ± .10	∅X ± .10
.XX ± .020	∅XX ± .015
.XXX ± .015	∅XXX ± .010
APPROVALS	DATE
DRAWN	SS
CHECKED	
APPROVED	

SIZE	PART NO.	REV.
X	ADC-H-002-X	-
SCALE: NTS	SHEET 1 OF 1	