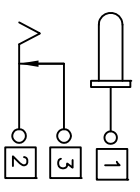
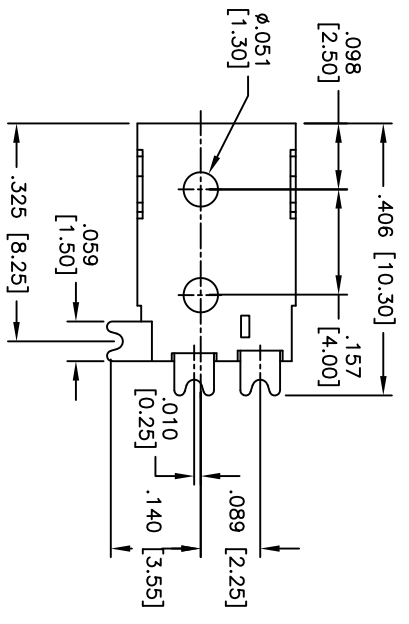
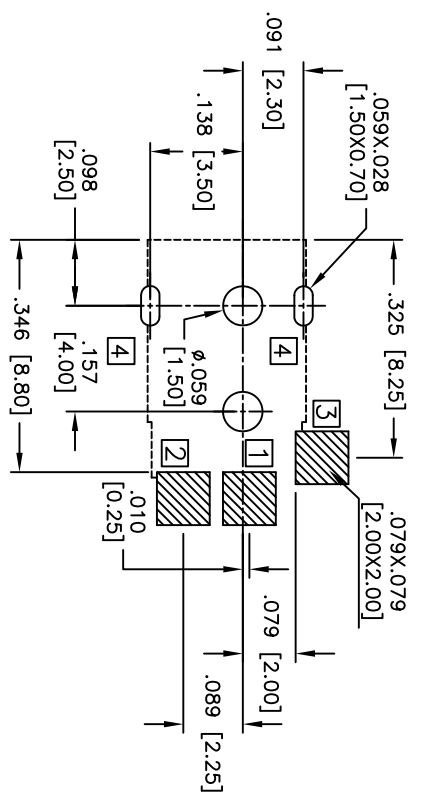
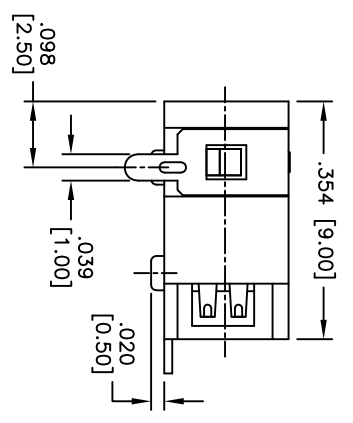
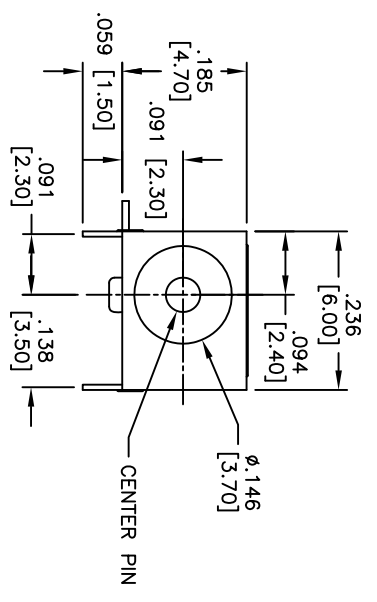
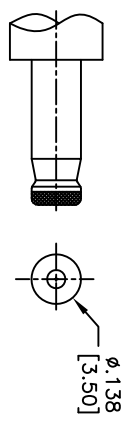


Rev	AWO #	Description	Date	Appr
-		RELEASED	7/27/10	

APPROVED: _____
 DATE: _____ TITLE: _____



RECOMMENDED PCB LAYOUT
(TOP VIEW)



DC MALE PLUG

PART NO.	CENTER PIN DIA.
ADC-093-3	$\phi 0.039$ [1.00]
ADC-093-4	$\phi 0.051$ [1.30]

SPECIFICATIONS:

- Material: LCP rated UL 94V-0
- Insulator color: Black
- Contacts: Copper Alloy, Silver plated
- Center Pin: Brass, Nickel plated
- Electrical:
 - Operating voltage: 12 VDC max.
 - Current rating: 1 Amps
 - Contact resistance: 30 mohms max.
 - Insulation resistance: 100 Mohms min.
 - Dielectric withstanding voltage: 500 VAC for 1 minute
- Temperature Rating:
 - Operating temperature: -20°C to +70°C
- Environmental:
 - Lead free, RoHS compliant

A

ADAM TECH

909 Railway Avenue, Union, NJ 07083
 Phone: 908-687-5000 Fax: 908-687-5710

DC POWER JACK, 1.00mm, 1.30mm CENTER PIN

UNLESS OTHERWISE SPECIFIED ALL DIMENSIONS ARE INCHES [MM]	
TOLERANCES: EXCEPT AS NOTED	
INCHES	HOLDS
.X ± .10	ØX ± .10
.XX ± .020	ØXX ± .015
.XXX ± .015	ØXXX ± .010
APPROVALS	DATE
DRAWN	7/27/10
CHECKED	
APPROVED	

SIZE	PART NO.	REV.
X	ADC-037A-X	-
REF:	S0002C	SHEET 1 OF 1
SCALE:	NTS	

6 5 4 3 2 1