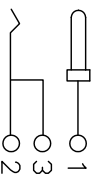
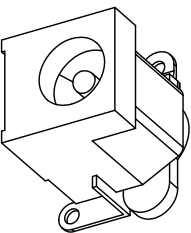
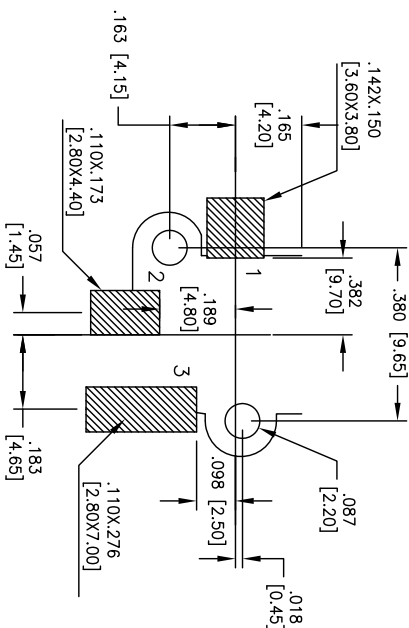
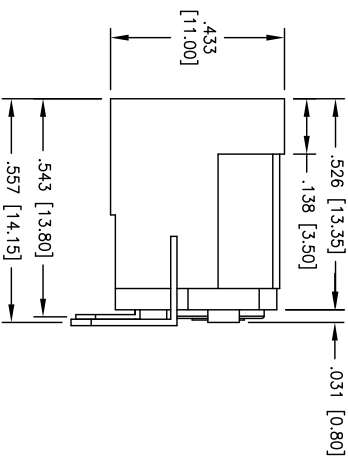
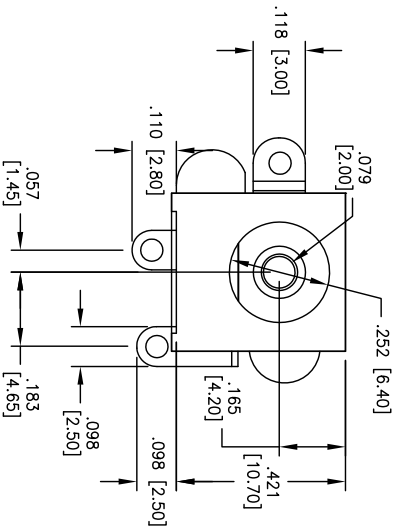
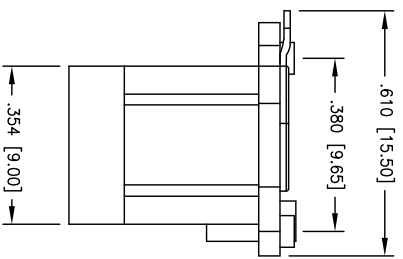


Rev	AWO #	Description	Date	Appr
-		RELEASED	12/06/07	
A		REVISED DIM.	9/11/08	
B		CHANGED INSULATOR MATERIAL	9/04/09	

APPROVED: _____
 DATE: _____ TITLE: _____



CIRCUIT DIAGRAM

PACKAGED ON TAPE & REEL

SPECIFICATIONS:

Material: Insulator: Hi-temp thermoplastic, rated UL 94V-0
 Insulator color: Black
 Center Pin: Brass, Nickel plated
 Contacts: Copper Alloy

Plating:

Silver over Nickel underplate

Electrical:

Operating voltage: 12 VDC max
 Current rating: 1 Amp max
 Contact resistance: 30 mohms max
 Insulation resistance: 100 Mohms min @ 500 VDC
 Dielectric withstanding voltage: 500 VAC for 1 minute
 Temperature Rating:
 Operating temperature: -25°C to +85°C
 Environmental:
 Lead free, RoHS compliant.
 Recommended soldering temp: 260°C for 5 sec.



UNLESS OTHERWISE SPECIFIED
 ALL DIMENSIONS ARE MM [INCHES]
 TOLERANCES: EXCEPT AS NOTED
 INCHES

.X	± .10	ØX	± .10
.XX	± .020	ØXXX	± .015
.XXX	± .015	ØXXX	± .010

APPROVALS

DRAWN	SHIREN	DATE	12/06/07
CHECKED			
APPROVED			

ADAM TECH

909 Rahway Avenue, Union, NJ 07083
 Phone: 908-687-5000 Fax: 908-687-5710

TITLE: DC POWER JACK, VERTICAL, SMT

SIZE	PART NO.	REV.
X	ADC-070-1-T/R	B
REF:	SCALE: NTS	SHEET 1 OF 1