

Rev	AWO #	Description	Date	Appr
-		RELEASED	10/28/09	

6

5

4

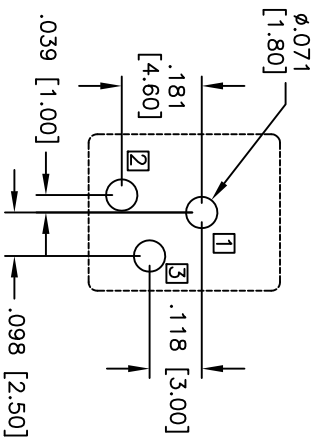
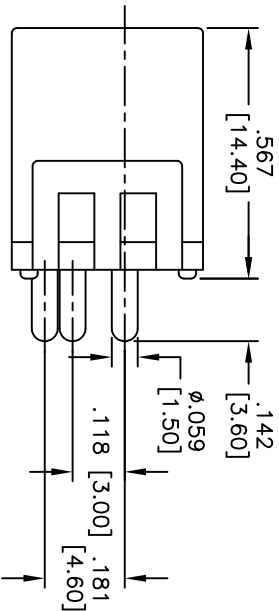
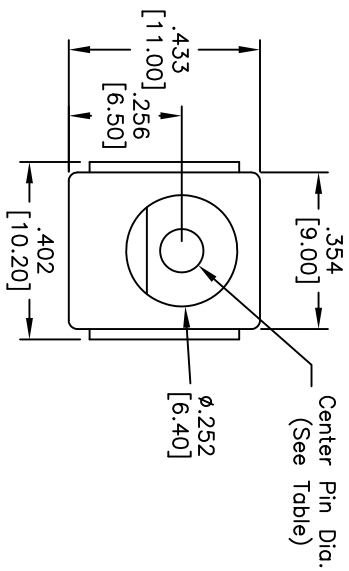
3

2

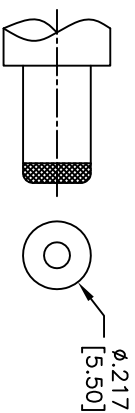
1

APPROVED: _____

DATE: _____ TITLE: _____

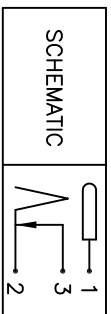


RECOMMENDED PCB LAYOUT (TOP VIEW)



DC MATE PLUG

P/N	Center Pin Dia
ADC-059-1	2.00 mm
ADC-059-2	2.50 mm



SCHEMATIC

SPECIFICATIONS:
 Material: Insulator: PBT, rated UL 94V-0
 Insulator color: Black
 Center Pin: Brass
 Contacts: Copper Alloy
 Plating: Tin over Copper underplate overall
 Electrical: Operating voltage: 24 VDC max.
 Current rating: 3.5 Amp max.
 Contact resistance: 30 mohms max. initial
 Insulation resistance: 100 Mohms min.
 Dielectric withstanding voltage: 500 VAC for 1 minute
 Temperature Rating: Operating temperature: -25°C to +70°C
 Environmental: Lead free, RoHS compliant
 Recommended soldering temp: 235°C for 5 sec.

A

B

C

D

ADAM TECH

909 Rahway Avenue, Union, NJ 07083
 Phone: 908-687-5000 Fax: 908-687-5710

DC POWER JACK, 2.00mm, 2.50mm CENTER PIN

UNLESS OTHERWISE SPECIFIED ALL DIMENSIONS ARE INCHES [MM]	
TOLERANCES: EXCEPT AS NOTED	
INCHES	HOLES
.X ± .10	Ø.X ± .10
.XX ± .020	Ø.XX ± .015
.XXX ± .015	Ø.XXX ± .010
APPROVALS	DATE
DRAWN DY	10/28/09
CHECKED	
APPROVED	

SIZE X	PART NO. ADC-059-X	REV. -
REF: S00002C	SCALE: NTS	SHEET 1 OF 1



6

5

4

3

2

1