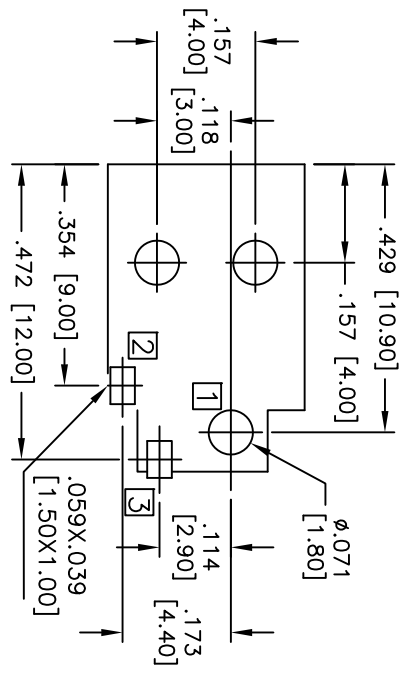
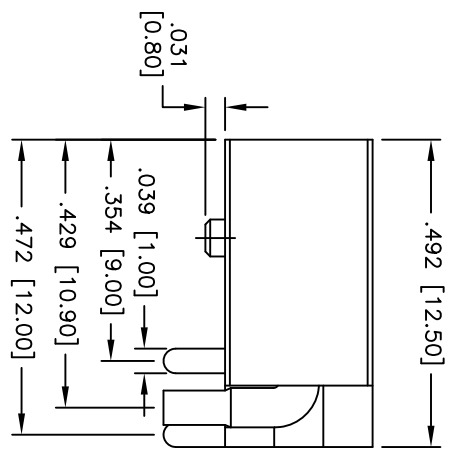
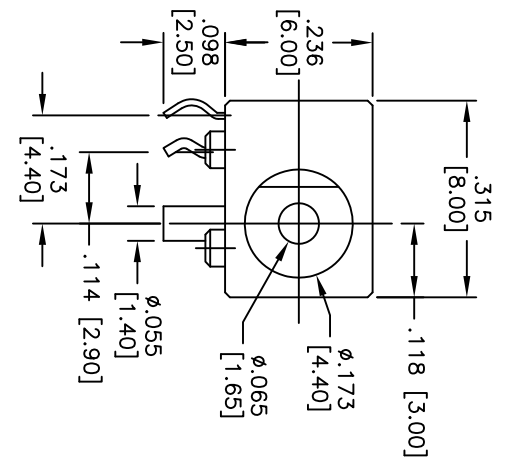
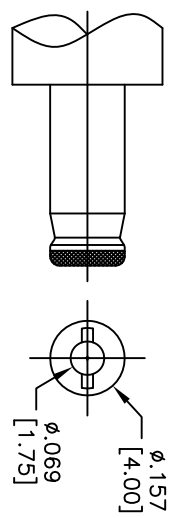
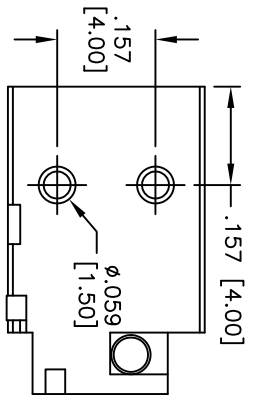


Rev	AWO #	Description	Date	Appr
-		RELEASED	4/29/10	

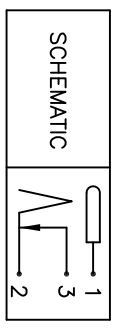
APPROVED: _____ TITLE: _____
 DATE: _____



RECOMMENDED PCB LAYOUT
 (Copper-sided view)



DC MATE PLUG



SPECIFICATIONS:
Material:
 Insulator: PA9T, rated UL 94V-0
 Insulator color: Black
 Center Pin: Brass, Nickel plated
 Contacts: Copper Alloy
Plating:
 Silver over Nickel underplate
Electrical:
 Operating voltage: 20 VDC
 Current rating: 2.5 Amp
 Contact resistance: 30 Mohms max.
 Insulation resistance: 100 Mohms min.
 Dielectric withstanding voltage: 500 VAC for 1 minute
 Temperature Rating:
 Operating temperature: -20°C to +70°C
Environmental:
 Lead free, RoHS compliant
 Recommended soldering temp: 260°C for 5 sec.



ADAM TECH

909 Railway Avenue, Union, NJ 07083
 Phone: 908-687-5000 Fax: 908-687-5710

DC POWER JACK, 1.65mm CENTER PIN

UNLESS OTHERWISE SPECIFIED ALL DIMENSIONS ARE INCHES [MM]	
TOLERANCES: EXCEPT AS NOTED	
INCHES	HOLDS
.X ± .10	Ø.X ± .10
.XX ± .020	Ø.XX ± .015
.XXX ± .015	Ø.XXX ± .010
APPROVALS	DATE
DRAWN DY	4/29/10
CHECKED	
APPROVED	

SIZE	PART NO.	REV.
X	ADC-055-9-HT	
REF: S000020	SCALE: NTS	SHEET 1 OF 1