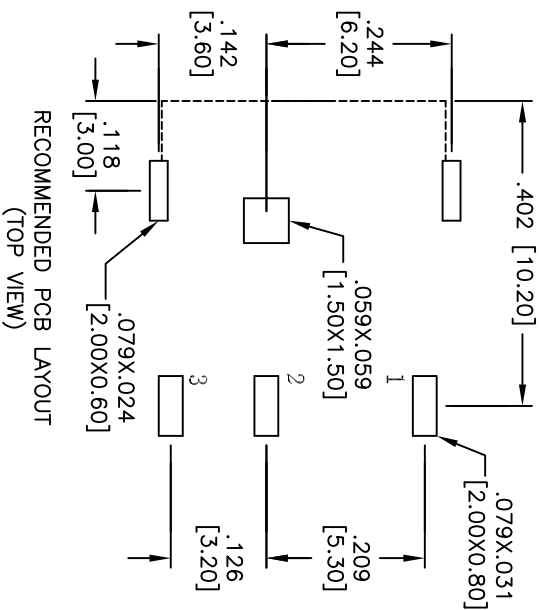
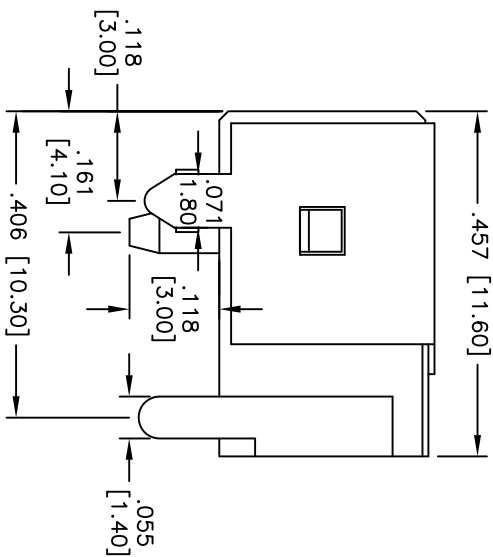
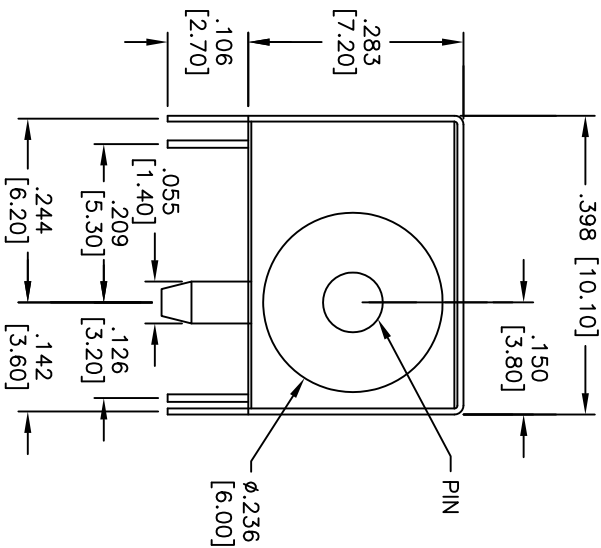
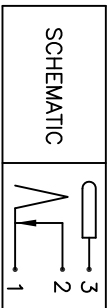


APPROVED: _____
 DATE: _____ TITLE: _____

Rev	AWO #	Description	Date	Appr
-		RELEASED	5/04/09	
A		ADDED PART NO.	2/18/11	



PART NO.	CENTER PIN DIA.
ADC-045A-1	.079 [2.00]
ADC-045A-2	.098 [2.50]
ADC-045A-5	.093 [2.35]



SPECIFICATIONS:

Material:

Insulator: PBT, Glass reinforced, rated UL 94V-0
 Insulator color: Black
 Center Pin: Brass, Nickel plated
 Contacts: Copper Alloy
 Plating:
 Silver over Nickel underplate

Electrical:

Operating voltage: 30 VDC max.
 Current rating: 1 Amp max.
 Contact resistance: 30 mohms max.
 Insulation resistance: 100 Mohms min.
 Dielectric withstanding voltage: 500 VAC for 1 minute
 Temperature Rating:
 Operating temperature: -25°C to +70°C

Environmental:

Lead free, RoHS compliant
 Recommended soldering temp: 235°C for 5 sec.



UNLESS OTHERWISE SPECIFIED
 ALL DIMENSIONS ARE INCHES [MM]
 TOLERANCES: EXCEPT AS NOTED
 INCHES Holes ±.10
 .XX ±.020 ØXXX ±.015
 .XXX ±.015 ØXXX ±.010

ADAM TECH
 909 Railway Avenue, Union, NJ 07083
 Phone: 908-687-5000 Fax: 908-687-5710

TITLE: DC POWER JACK

APPROVALS	DATE	SIZE	PART NO.	REV.
DRAWN	DY	5/04/09	ADC-045A-X	A
CHECKED				
APPROVED				

REF: S00002C SCALE: NTS SHEET 1 OF 1