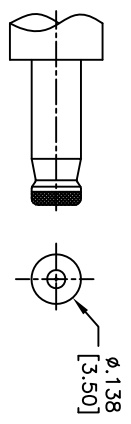
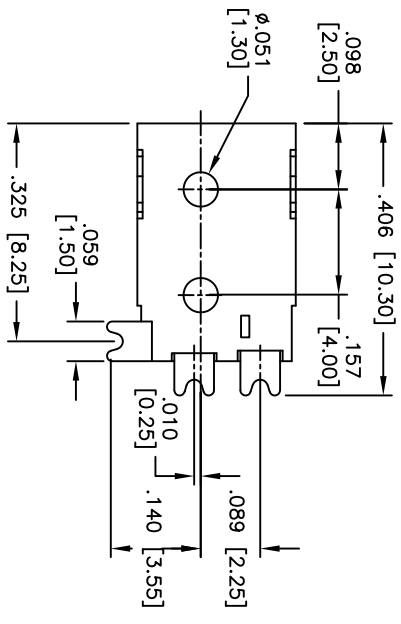
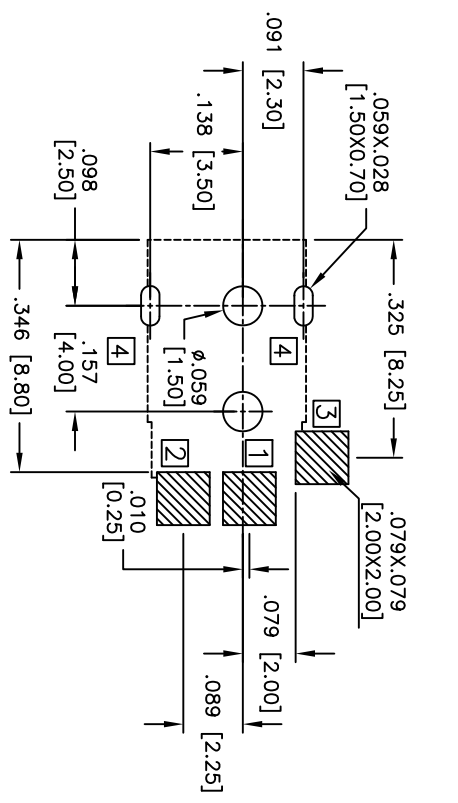
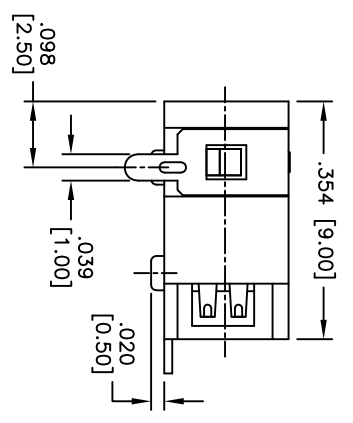
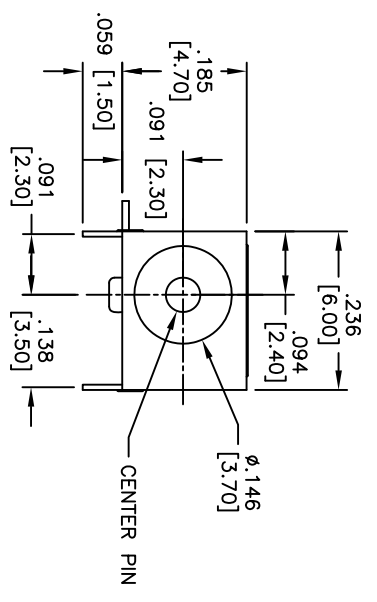


Rev	AWO #	Description	Date	Appr
-		RELEASED	7/27/10	

APPROVED: _____
 DATE: _____ TITLE: _____



PART NO.	CENTER PIN DIA.
ADC-037A-3	0.039 [1.00]
ADC-037A-4	0.051 [1.30]

DC MALE PLUG

RECOMMENDED PCB LAYOUT
(TOP VIEW)

SPECIFICATIONS:

Material: LCP rated UL 94V-0

Insulator color: Black

Contacts: Copper Alloy, Silver plated

Center Pin: Brass, Nickel plated

Electrical:

Operating voltage: 12 VDC max.

Current rating: 1 Amps

Contact resistance: 30 mohms max.

Insulation resistance: 100 Mohms min.

Dielectric withstanding voltage: 500 VAC for 1 minute

Temperature Rating: Operating temperature: -20°C to +70°C

Environmental: Lead free, RoHS compliant

Recommended soldering temp: 260°C for 5 sec.



ADAM TECH

909 Railway Avenue, Union, NJ 07083
 Phone: 908-687-5000 Fax: 908-687-5710

DC POWER JACK, 1.00mm, 1.30mm CENTER PIN

UNLESS OTHERWISE SPECIFIED ALL DIMENSIONS ARE INCHES [MM]	
TOLERANCES: EXCEPT AS NOTED	
INCHES	HOLES
.X ± .10	ØX ± .10
.XX ± .020	ØXXX ± .015
.XXX ± .015	ØXXXX ± .010
APPROVALS	DATE
DRAWN	7/27/10
CHECKED	
APPROVED	

SIZE	PART NO.	REV.
X	ADC-037A-X	-
REF:	S00002C	SHEET 1 OF 1