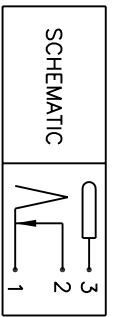
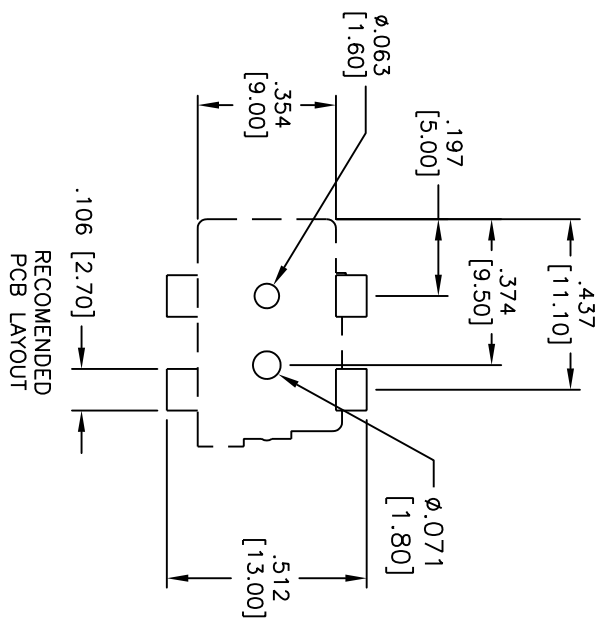
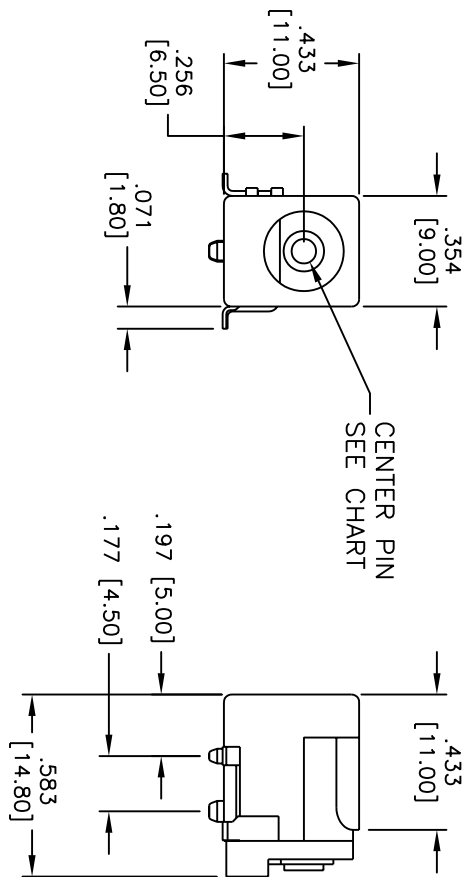


Rev	AWO #	Description	Date	Appr
-		RELEASED	01/04/05	

APPROVED: _____
 DATE: _____ TITLE: _____



PART NO.	CENTER PIN DIA.
ADC-028-1-RC-TR	.079 [2.00]
ADC-028-2-RC-TR	.098 [2.50]

SPECIFICATIONS:

Material:
 Insulator: Nylon 66, rated UL 94V-0
 Insulator color: Black
 Center Pin: Brass, Nickel plated
 Contacts: Copper Alloy
 Plating:
 Silver over Nickel underplate

Electrical:
 Operating voltage: 12 VDC max.
 Current rating: 1 Amp max.

Contact resistance: 30 mohms max. initial
 Insulation resistance: 50 Mohms min.
 Dielectric withstanding voltage: 250 VAC for 1 minute
 Temperature Rating:
 Operating temperature: -25°C to +70°C

Packaging:
 Tape and Reel
 Environmental:
 Lead free, RoHS Compliant
 Max. reflow soldering temperature: 260°C for 10 seconds



ADAM TECH

909 Rahway Avenue, Union, NJ 07083
 Phone: 908-687-5000 Fax: 908-687-5710

DC POWER JACK, RIGHT ANGLE.
 SMT, ROHS COMPLIANT, TAPE & REEL

UNLESS OTHERWISE SPECIFIED ALL DIMENSIONS ARE INCHES [MM]	
TOLERANCES: EXCEPT AS NOTED	HOLDS
.X ± .10	ØXX ± .10
.XX ± .020	ØXXX ± .015
.XXX ± .015	ØXXXX ± .010
APPROVALS	DATE
DRAWN	SS
CHECKED	
APPROVED	

SIZE	PART NO.	REV.
X	ADC-028-X	-
REF:	SCALE: NTS	SHEET 1 OF 1