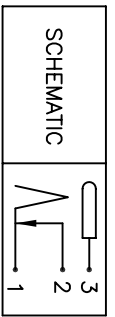
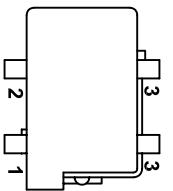
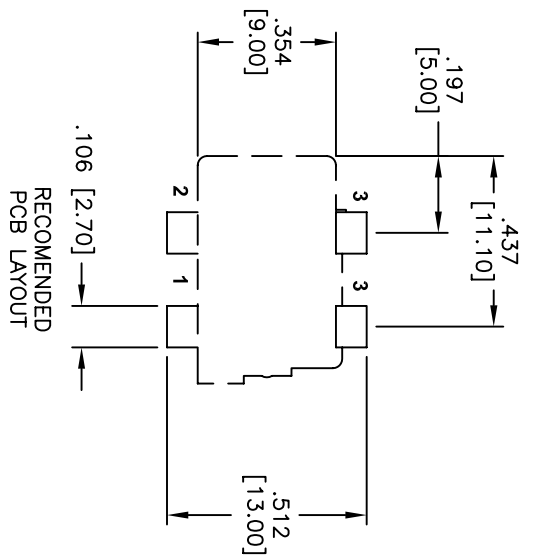
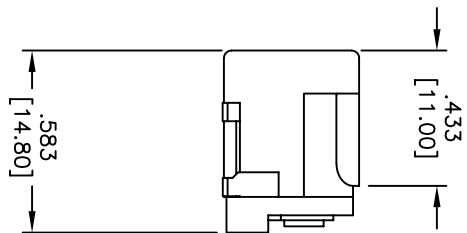
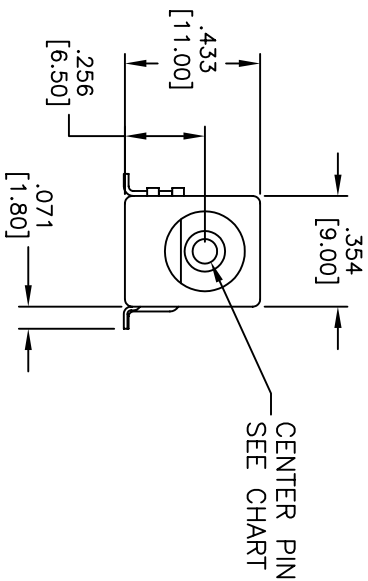


Rev	AWO #	Description	Date	Appr
-		RELEASED	04/08/05	

APPROVED: \_\_\_\_\_  
 DATE: \_\_\_\_\_ TITLE: \_\_\_\_\_



PART NO.	CENTER PIN DIA.
ADC-028-1-NP	.079 [2.00]
ADC-028-2-NP	.098 [2.50]

**SPECIFICATIONS:**

**Material:**  
 Insulator: Nylon 66, rated UL 94V-0  
 Insulator color: Black  
 Center Pin: Brass, Nickel plated  
 Contacts: Copper Alloy  
 Plating:  
 Silver over Nickel underplate

**Electrical:**

Operating voltage: 12 VDC max.  
 Current rating: 1 Amp max.  
 Contact resistance: 30 mohms max. initial  
 Insulation resistance: 50 Mohms min.  
 Dielectric withstanding voltage: 250 VAC for 1 minute  
 Temperature Rating:  
 Operating temperature: -25°C to +70°C

**Packaging:**  
 Tape and Reel  
 Environmental:  
 Lead free, RoHS Compliant  
 Max. reflow soldering temperature: 260°C for 10 seconds



UNLESS OTHERWISE SPECIFIED  
 ALL DIMENSIONS ARE INCHES [MM]  
 TOLERANCES: EXCEPT AS NOTED  
 INCHES  
 .X ± .10 ØXX ± .10  
 .XX ± .020 ØXXX ± .015  
 .XXX ± .015 ØXXXX ± .010

**ADAM TECH**  
 909 Rahway Avenue, Union, NJ 07083  
 Phone: 908-687-5000 Fax: 908-687-5710

APPROVALS	DATE
DRAWN SS	04/08/05
CHECKED	
APPROVED	

SIZE	PART NO.	REV.
X	ADC-028-X-NP	-