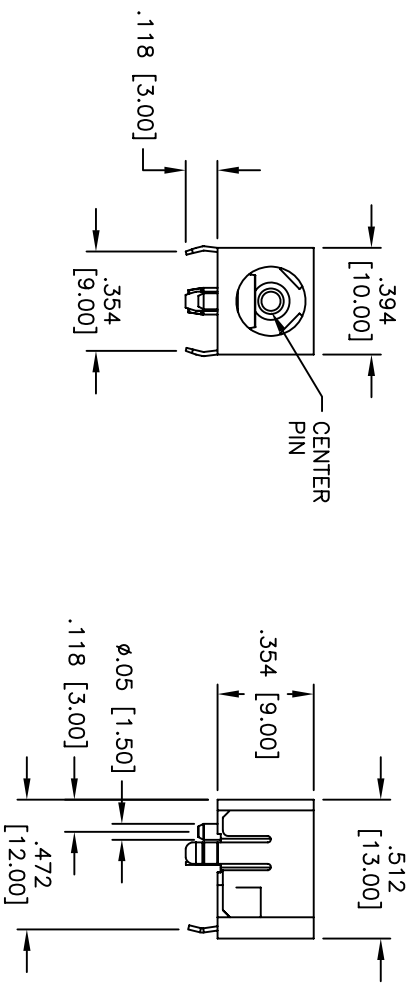
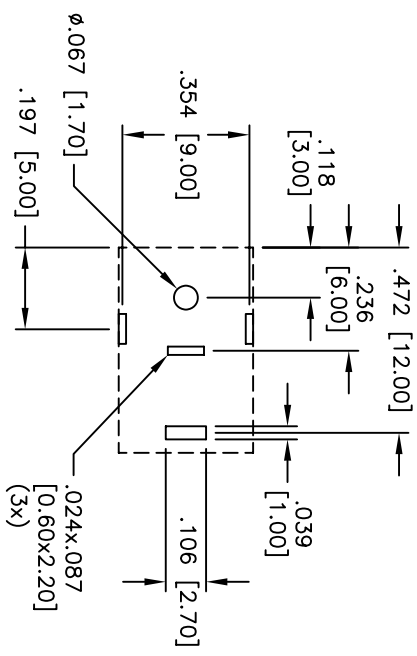
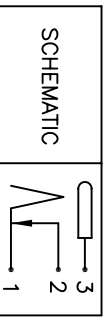


Rev	AWO #	Description	Date	Appr
-		RELEASED	12/10/04	

APPROVED: _____
 DATE: _____ TITLE: _____



PART NO.	CENTER PIN DIA.
ADC-026-1	.079 [2.00]



PCB LAYOUT

SPECIFICATIONS:
 Material:
 Insulator: PBT, Glass reinforced, rated UL 94V-0
 Insulator color: Black
 Center Pin: Brass, Nickel plated
 Contacts: Copper Alloy
 Plating:
 Silver over Nickel underplate
 Electrical:
 Operating voltage: 12 VDC max.
 Current rating: 1 Amp max.
 Contact resistance: 30 mohms max. initial
 Insulation resistance: 50 Mohms min.
 Dielectric withstanding voltage: 250 VAC for 1 minute
 Temperature Rating:
 Operating temperature: -25°C to +70°C
 Environmental:
 Lead free, RoHS compliant.
 Recommended soldering temp: 235 for 5 sec.



UNLESS OTHERWISE SPECIFIED
 ALL DIMENSIONS ARE INCHES [MM]
 TOLERANCES: EXCEPT AS NOTED
 INCHES Holes

.X	± .10	ØXX	± .10
.XX	± .020	ØXXX	± .015
.XXX	± .015	ØXXXX	± .010

APPROVALS

DRAWN	SS	DATE	10/4/04
CHECKED			
APPROVED			

ADAM TECH
 909 Railway Avenue, Union, NJ 07083
 Phone: 908-687-5000 Fax: 908-687-5710

TITLE	DC POWER JACK	
SIZE	PART NO.	REV.
X	ADC-026-X	-
REF:	SCALE: NTS	SHEET 1 OF 1