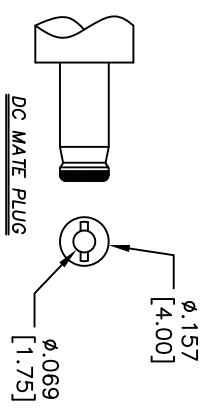
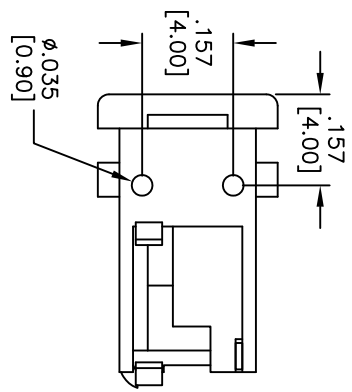
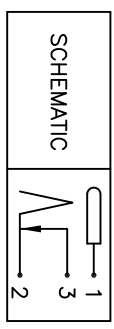
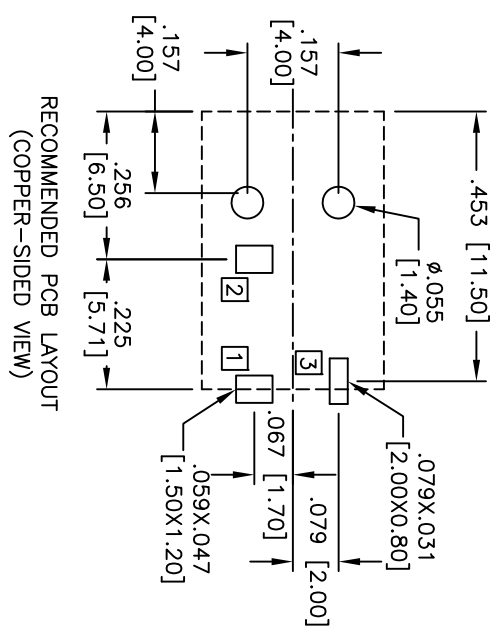
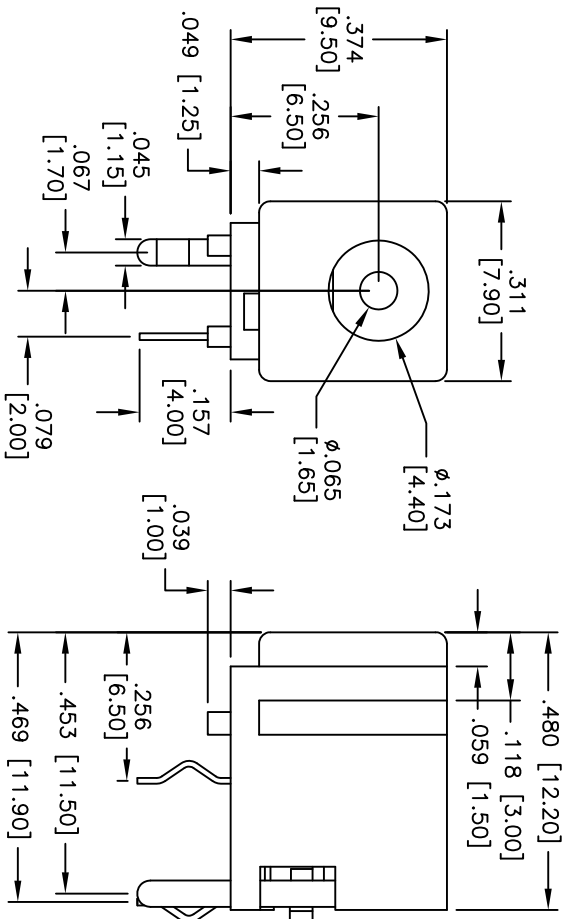


Rev	AWO #	Description	Date	Appr
-		RELEASED	8/28/09	

APPROVED: \_\_\_\_\_

DATE: \_\_\_\_\_ TITLE: \_\_\_\_\_



**SPECIFICATIONS:**

Material:

Insulator: PBT, rated UL 94V-0

Insulator color: Black

Center Pin: Brass

Contacts: Copper Alloy

Plating: Tin over Copper underplate overall

Electrical:

Operating voltage: 30 VDC max.

Current rating: 1 Amp max.

Contact resistance: 30 mohms max. initial

Insulation resistance: 100 Mohms min.

Dielectric withstanding voltage: 500 VAC for 1 minute

Operating temperature: -25°C to +70°C

Environmental:

Lead free, RoHS compliant

Recommended soldering temp: 235°C for 5 sec.



UNLESS OTHERWISE SPECIFIED  
ALL DIMENSIONS ARE IN INCHES [MM]  
TOLERANCES: EXCEPT AS NOTED

INCHES	HOLES
.X ± .10	$\phi$ X ± .10
.XX ± .020	$\phi$ XX ± .015
.XXX ± .015	$\phi$ XXX ± .010

APPROVALS

DATE
8/28/09

DRAWN: DY  
CHECKED:  
APPROVED:

**ADAM TECH**  
909 Rahway Avenue, Union, NJ 07083  
Phone: 908-687-5000 Fax: 908-687-5710

TITLE: DC POWER JACK, 1.65mm CENTER PIN

SIZE	PART NO.	REV.
X	ADC-023A-9	-

REF: S000020 SCALE: NTS SHEET 1 OF 1