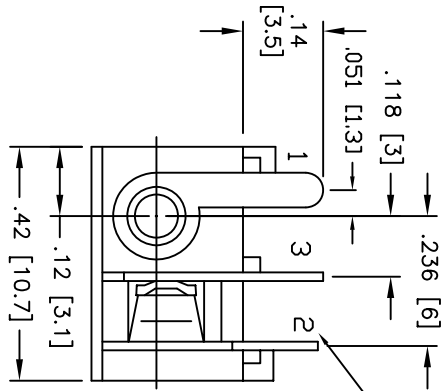
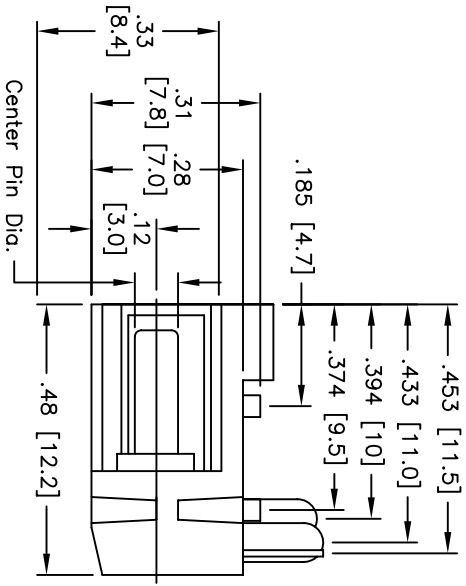
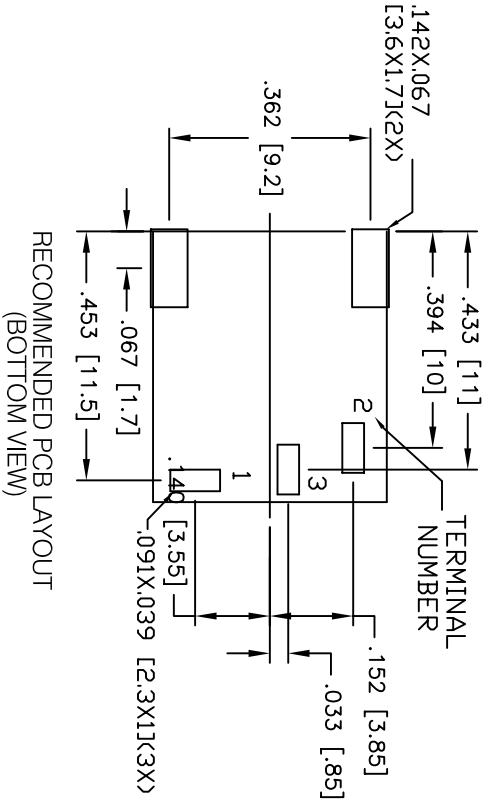
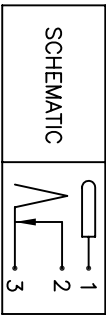


Rev	AWO #	Description	Date	Appr
-		RELEASED	12/10/04	

APPROVED: _____
 DATE: _____ TITLE: _____



PART NO.	CENTER PIN DIA.
ADC-003-1	.079 [2.00]
ADC-003-2	.098 [2.50]



SPECIFICATIONS:
 Material: Insulator: PBT, Glass reinforced, rated UL 94V-0
 Insulator color: Black
 Center Pin: Brass, Nickel plated
 Contacts: Copper Alloy
 Plating: Silver over Nickel underplate
 Electrical: Operating voltage: 12 VDC max.
 Current rating: 1 Amp max.
 Contact resistance: 30 mohms max. initial
 Insulation resistance: 50 Mohms min.
 Dielectric withstanding voltage: 250 VAC for 1 minute
 Temperature Rating: Operating temperature: -25°C to +85°C
 Environmental: Lead free, RoHS compliant.
 Recommended soldering temp: 235 for 5 sec.



UNLESS OTHERWISE SPECIFIED ALL DIMENSIONS ARE INCHES [MM]	
TOLERANCES: EXCEPT AS NOTED	
INCHES	
HOLES	
ØX ± .10	± .10
.XX ± .020	± .015
.XXX ± .015	± .010
APPROVALS	DATE
DRAWN SS	10/4/04
CHECKED	
APPROVED	

ADAM TECH
 909 Rahway Avenue, Union, NJ 07083
 Phone: 908-687-5000 Fax: 908-687-5710

DC POWER JACK
 ADC-003-X

SCALE: NTS SHEET 1 OF 1