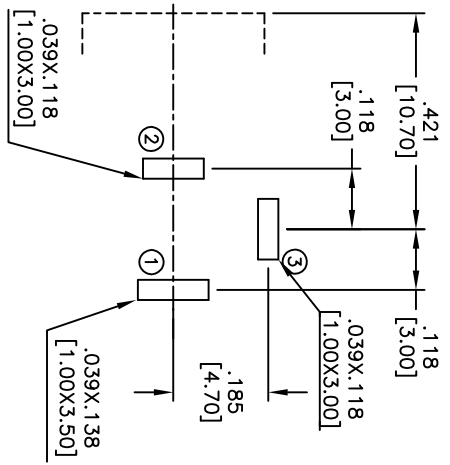
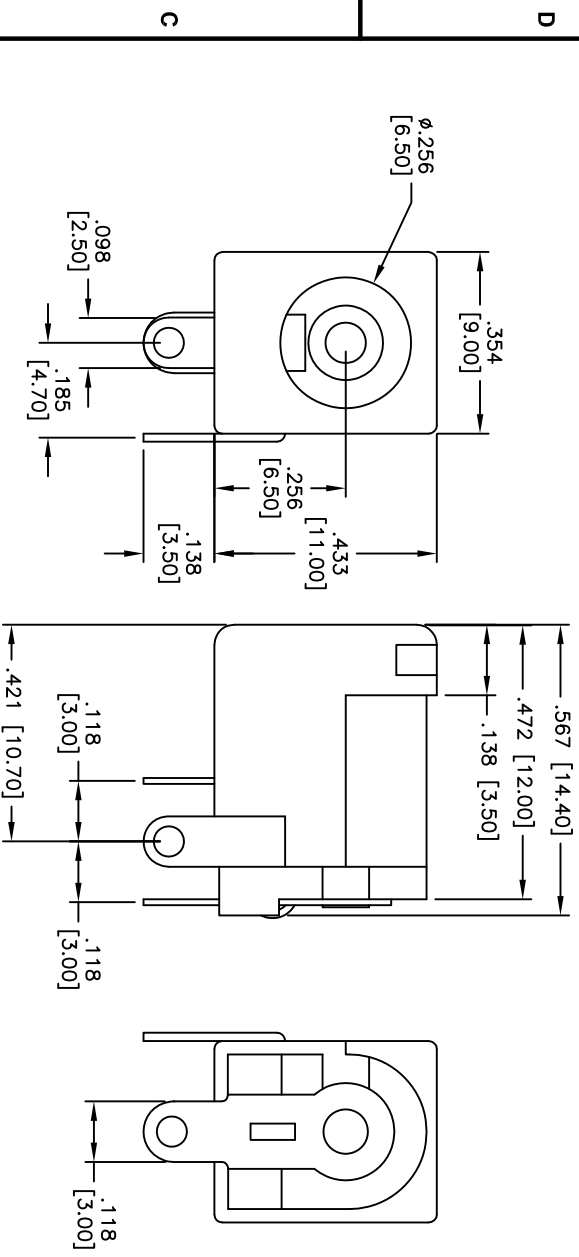
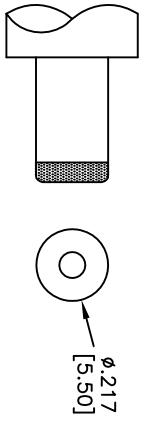


Rev	AWO #	Description	Date	Appr
-		RELEASED	12/08/08	

APPROVED: _____
 DATE: _____ TITLE: _____

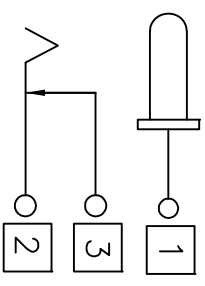


Recommended PCB Layout
(BOTTOM VIEW)



DC MATE PLUG

PART NO.	X
ADC-002G-1-N	0.079 [2.00]
ADC-002G-2-N	0.098 [2.50]
ADC-002G-9-N	0.065 [1.65]



SPECIFICATIONS:

- Material: Insulator: PBT, Glass reinforced, rated UL 94V-0
- Insulator color: Black
- Center Pin: Brass, Nickel plated
- Contacts: Copper Alloy
- Plating: Silver over Nickel underplate
- Electrical: Operating voltage: 20 VDC max.
- Current rating: 2.5 Amp max.
- Contact resistance: 30 mohms max. initial
- Insulation resistance: 100 Mohms min.
- Dielectric withstanding voltage: 500 VAC for 1 minute
- Temperature Rating: Operating temperature: -25°C to +70°C
- Environmental: Lead free, RoHS compliant
- Recommended soldering temp: 235°C for 5 sec.

ADAM TECH

909 Rahway Avenue, Union, NJ 07083
 Phone: 908-687-5000 Fax: 908-687-5710

TITLE: DC POWER JACK WITH NOTCH
 2.00mm, 2.50mm, 1.65mm CENTER PIN

UNLESS OTHERWISE SPECIFIED		ALL DIMENSIONS ARE INCHES [MM]	
TOLERANCES: EXCEPT AS NOTED			
INCHES		HOLES	
.X	± .10	Ø.X	± .10
.XX	± .020	Ø.XXX	± .015
.XXX	± .015	Ø.XXXX	± .010
APPROVALS		DATE	
DRAWN	DY	12/08/08	
CHECKED			
APPROVED			

SIZE	PART NO.	REV.
X	ADC-002G-X-N	-

REF: S0002/C SCALE: NTS SHEET 1 OF 1