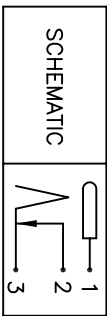
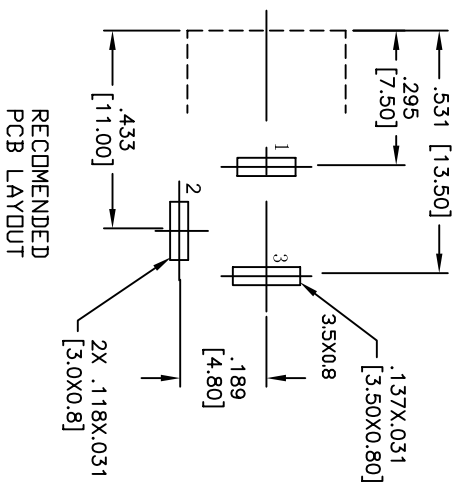
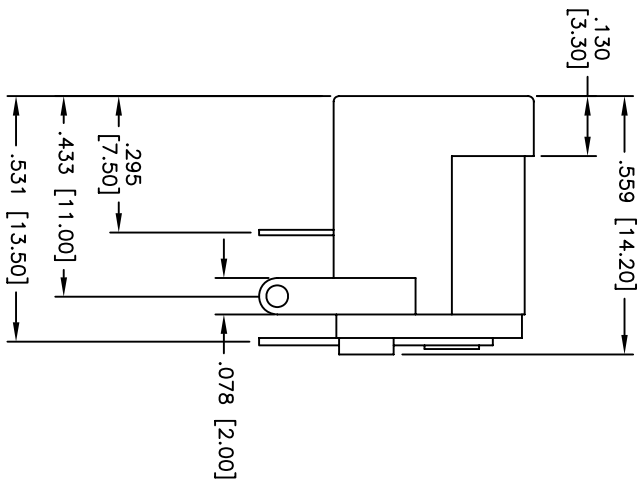
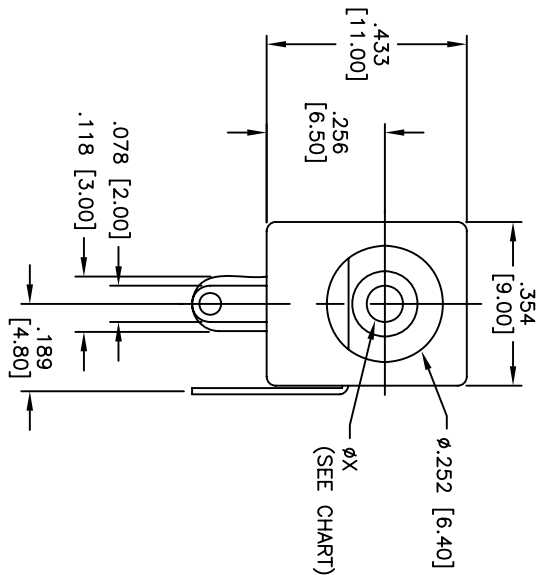


APPROVED: _____
 DATE: _____ TITLE: _____

Rev	AWO #	Description	Date	Appr
-		RELEASED	12/10/04	
A		REDESIGNED	6/1/06	



PART NO.	CENTER PIN DIA.
ADC-002-1	.078 [2.00]
ADC-002-2	.098 [2.50]
ADC-002-5	.092 [2.35]
ADC-002-9	.065 [1.65]

SPECIFICATIONS:
 Material: Insulator: PBT, Glass reinforced, rated UL 94V-0
 Insulator color: Black
 Center Pin: Brass, Nickel plated
 Contacts: Copper Alloy
 Plating: Silver over Nickel underplate
 Electrical: Operating voltage: 12 VDC max.
 Current rating: 1 Amp max.
 Contact resistance: 30 mohms max. initial
 Insulation resistance: 50 Mohms min.
 Dielectric withstanding voltage: 250 VAC for 1 minute
 Temperature Rating: Operating temperature: -25°C to +85°C
 Environmental: Lead free, RoHS compliant.
 Recommended soldering temp: 235°C for 5 sec.



ADAM TECH

909 Rahway Avenue, Union, NJ 07083
 Phone: 908-687-5000 Fax: 908-687-5710

DC POWER JACK

UNLESS OTHERWISE SPECIFIED ALL DIMENSIONS ARE INCHES [MM]		TOLERANCES: EXCEPT AS NOTED	
INCHES	HOLES	INCHES	HOLES
.X ± .10	Ø.X ± .10	.XX ± .020	Ø.XXX ± .015
.XXX ± .015	Ø.XXX ± .010		
APPROVALS	DATE	TITLE	
DRAWN	SS	DC POWER JACK	
CHECKED		SIZE	PART NO.
APPROVED		X	ADC-002-X
		REF:	SCALE: NTS
			SHEET 1 OF 1