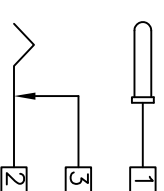
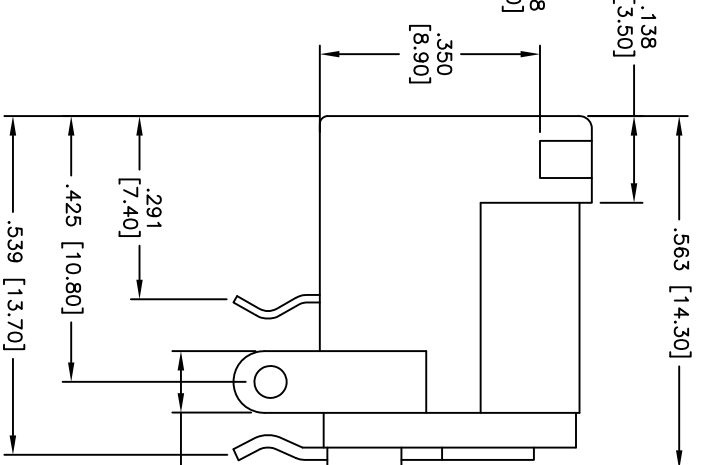
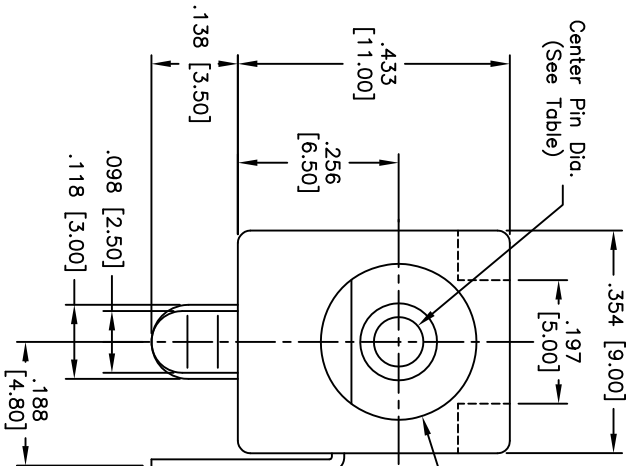
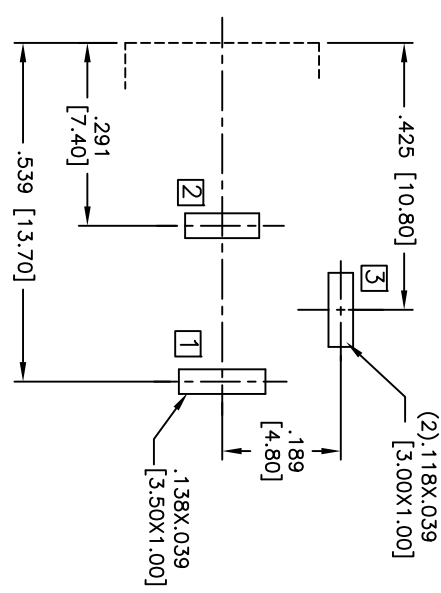


Rev	AWO #	Description	Date	Appr
-		RELEASED	2/11/10	

APPROVED: \_\_\_\_\_  
 DATE: \_\_\_\_\_ TITLE: \_\_\_\_\_



SCHEMATIC



RECOMMENDED PCB LAYOUT  
 (COPPER-SIDED VIEW)

PART NO.	X
ADC-002-1-RT1-N	Ø.079 [2.00]
ADC-002-2-RT1-N	Ø.098 [2.50]

**SPECIFICATIONS:**

Material: Insulator: PBT, Glass reinforced, rated UL 94V-0  
 Insulator color: Black  
 Center Pin: Brass, Nickel plated  
 Contacts: Copper Alloy  
 Plating: Tin over Nickel underplate  
 Electrical: Operating voltage: 20 VDC  
 Current rating: 2.5 Amp  
 Contact resistance: 30 mohms max.  
 Insulation resistance: 100 Mohms min.  
 Dielectric withstanding voltage: 500 VAC for 1 minute  
 Temperature Rating: Operating temperature: -25°C to +70°C  
 Environmental: Lead free, RoHS compliant  
 Recommended soldering temp: 235°C for 5 sec.



UNLESS OTHERWISE SPECIFIED  
 ALL DIMENSIONS ARE IN INCHES [MM]  
 TOLERANCES: EXCEPT AS NOTED  
 INCHES Holes  
 .X ±.10 ØXX ±.10  
 .XX ±.020 ØXXX ±.015  
 .XXX ±.015 ØXXXX ±.010

**ADAM TECH**

909 Railway Avenue, Union, NJ 07083  
 Phone: 908-687-5000 Fax: 908-687-5710

TITLE: DC POWER JACK, 2.00mm, 2.50mm CENTER PIN

SIZE	PART NO.	REV.
X	ADC-002-X-RT1-N	-

REF: S0002C SCALE: NTS SHEET 1 OF 1