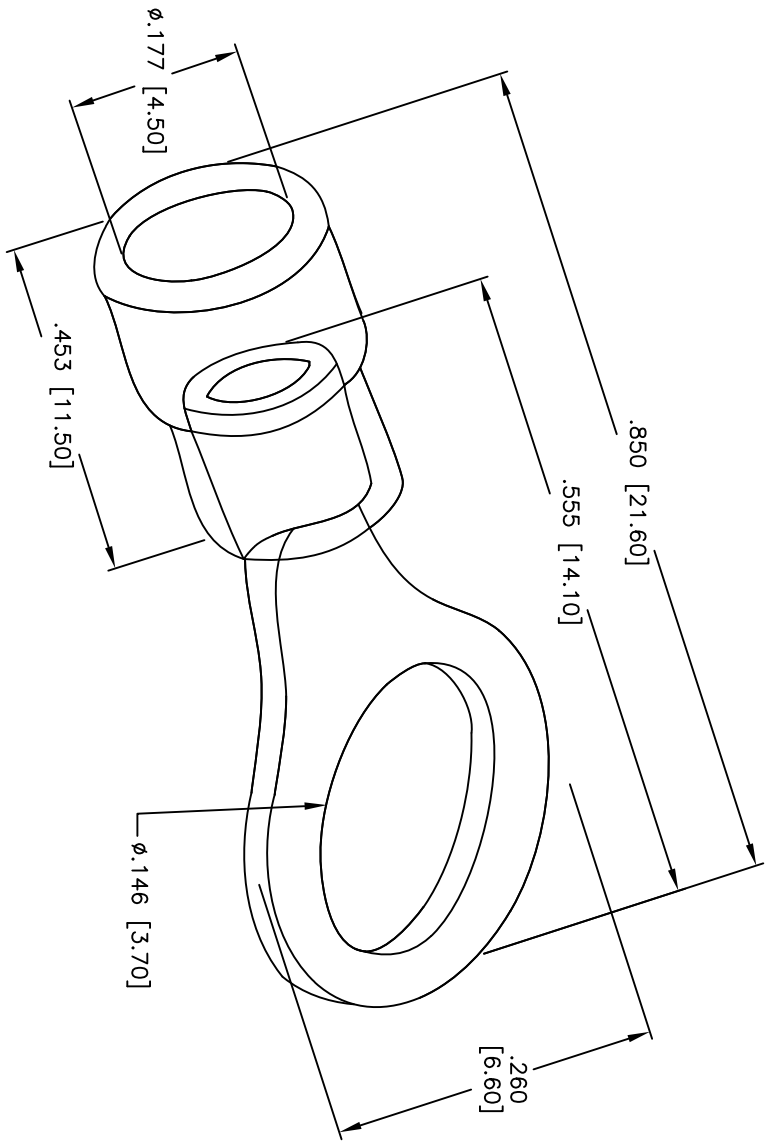


| Rev | AWO # | Description | Date | Appr |
|-----|-------|-------------|----------|------|
| - | | RELEASED | 11/09/10 | |

APPROVED: _____
 DATE: _____ TITLE: _____



ADAM TECH

909 Rahway Avenue, Union, NJ 07083
 Phone: 908-687-5000 Fax: 908-687-5710

.146" RING TERMINAL, WITH INSULATED

| | |
|--|-------------------|
| UNLESS OTHERWISE SPECIFIED ALL DIMENSIONS ARE INCHES [MM] | |
| TOLERANCES: EXCEPT AS NOTED | |
| INCHES | HOLDS |
| .X ± .10 | ϕ X ± .10 |
| .XX ± .020 | ϕ XX ± .015 |
| .XXX ± .015 | ϕ XXX ± .010 |
| APPROVALS | DATE |
| DRAWN | DY |
| CHECKED | 11/09/10 |
| APPROVED | |

| | | | |
|-------------------------------------|----------------------|-------|--------------|
| TITLE | | REV. | |
| .146" RING TERMINAL, WITH INSULATED | | - | |
| SIZE | PART NO. | SCALE | SHEET 1 OF 1 |
| X | 8RT-.146/.260/.177-T | NTS | |
| REF: S0015T | | | |

SPECIFICATIONS:
 Terminal: Copper, Matt Tin plated
 Insulator color: Blue
 Thickness: 0.8mm
 Wire range: AWG16-14
 Environmental:
 Lead free, RoHS compliant.



6 5 4 3 2 1