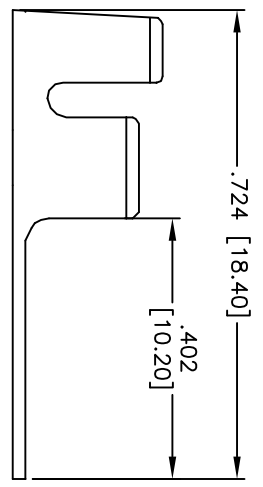
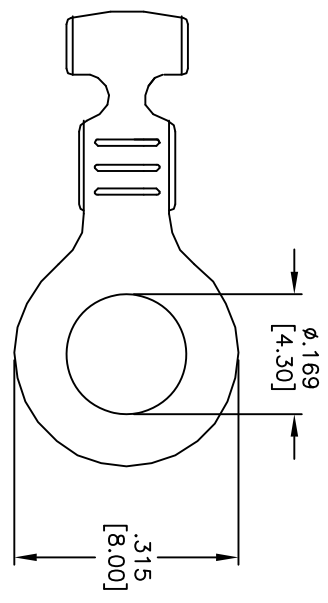


Rev	AWO #	Description	Date	Appr
-		RELEASED	7/13/11	

APPROVED: \_\_\_\_\_  
 DATE: \_\_\_\_\_ TITLE: \_\_\_\_\_



# ADAM TECH

909 Rahway Avenue, Union, NJ 07083  
 Phone: 908-687-5000 Fax: 908-687-5710

TITLE: .169" RING TERMINAL, NON INSULATED

UNLESS OTHERWISE SPECIFIED ALL DIMENSIONS ARE INCHES [MM]	
TOLERANCES: EXCEPT AS NOTED	
INCHES	HOLDS
.X ± .10	ØXX ± .10
.XX ± .020	ØXXX ± .015
.XXX ± .015	ØXXXX ± .010
APPROVALS	DATE
DRAWN DY	7/13/11
CHECKED	
APPROVED	

SIZE X	PART NO. 5RT-.169,315-20/16-T-A	REV. -
REF: S00123T	SCALE: NTS	SHEET 1 OF 1



**SPECIFICATIONS:**  
 Terminal: Brass, Tin plated  
 Wire Range: AWG#16~20  
 Thickness: 0.5mm  
 Environmental:  
 Lead free, RoHS compliant.

6 5 4 3 2 1