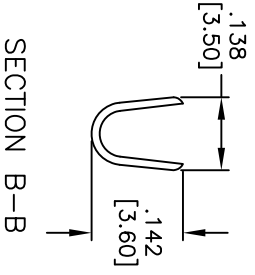
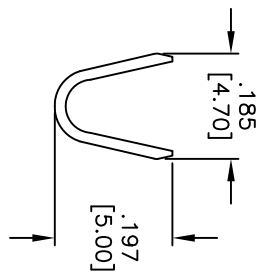
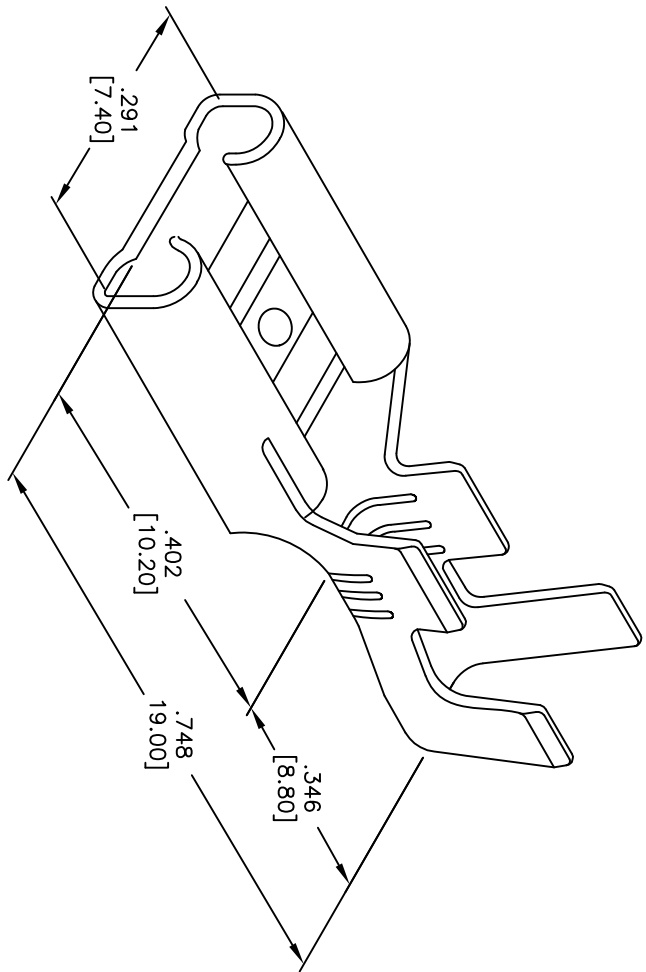


Rev	AWO #	Description	Date	Appr
-		RELEASED	12/30/10	

APPROVED: \_\_\_\_\_  
 DATE: \_\_\_\_\_ TITLE: \_\_\_\_\_



**SPECIFICATIONS:**

**Material:**  
 Terminal: Brass, Matte Tin plated  
 Thickness: 0.40mm  
 Wire Range: AWG#20~16  
**Electrical:**  
 Voltage rating: AC 250V, DC 350V  
 Current rating: AC,DC,15A  
 Temperature range: -25°C to +85°C  
 Environmental:  
 Lead free, RoHS compliant.



**ADAM TECH**

909 Railway Avenue, Union, NJ 07083  
 Phone: 908-687-5000 Fax: 908-687-5710

TITLE: .291" QUICK DISCONNECT TERMINAL  
 HALF INSULATED

UNLESS OTHERWISE SPECIFIED ALL DIMENSIONS ARE INCHES [MM]	
TOLERANCES: EXCEPT AS NOTED	HOLE
.X ± .10	± .10
.XX ± .020	± .015
.XXX ± .015	± .010
APPROVALS	DATE
DRAWN AY	12/30/10
CHECKED JL	12/30/10
APPROVED	

SIZE X	PART NO. 4QD-.291-20/16-MT	REV.
REF: S00137T	SCALE: NTS	SHEET 1 OF 1