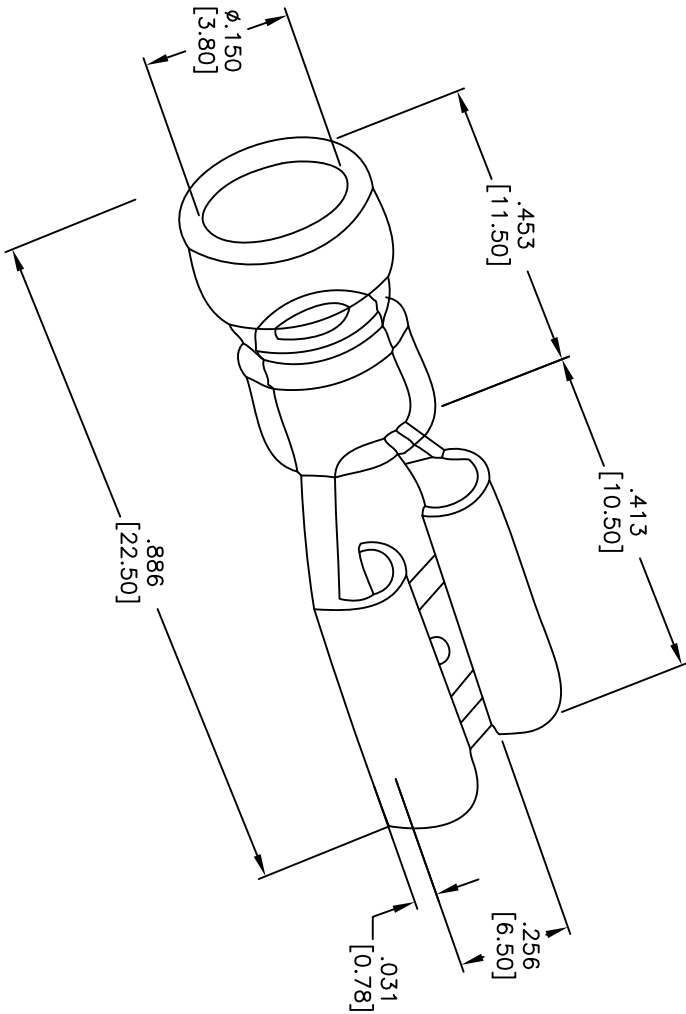


Rev	AWO #	Description	Date	Appr
-		RELEASED	9/17/10	

APPROVED: _____
 DATE: _____ TITLE: _____



ADAM TECH

909 Rahway Avenue, Union, NJ 07083
 Phone: 908-687-5000 Fax: 908-687-5710

TITLE: .250" QUICK DISCONNECT TERMINAL
 HALF INSULATED

SIZE	PART NO.	REV.
X	4QD-.250-22/18-T-HI	-
REF: S0015T	SCALE: NTS	SHEET 1 OF 1

UNLESS OTHERWISE SPECIFIED
 ALL DIMENSIONS ARE INCHES [MM]
 TOLERANCES: EXCEPT AS NOTED
 INCHES Holes
 .X ±.10 ØX ±.10
 .XX ±.020 ØXXX ±.015
 .XXX ±.015 ØXXXX ±.010

DRAWN	DY	9/17/10
CHECKED		
APPROVED		



SPECIFICATIONS:
 Terminal: Brass, Matt Tin plated
 Insulator color: Red
 Wire Range: AWG# 22~18
 Mates with Pin Height: 0.4mm
 Environmental:
 Lead free, RoHS compliant.

6 5 4 3 2 1