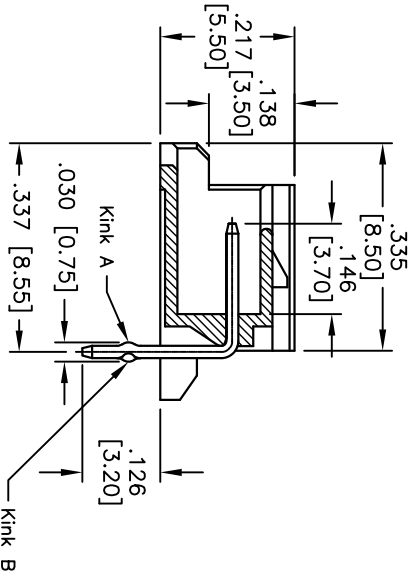
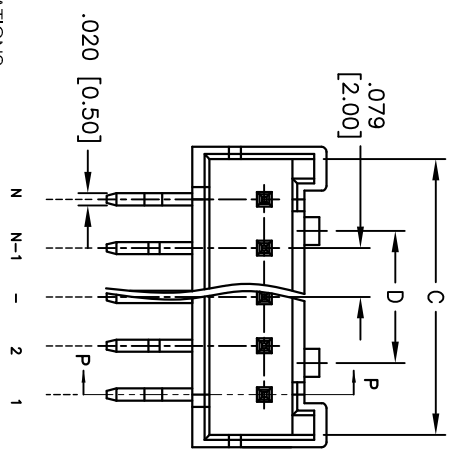
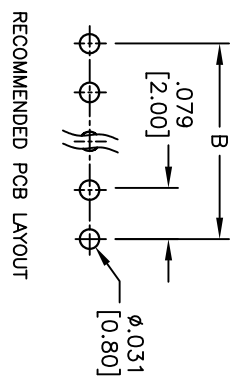
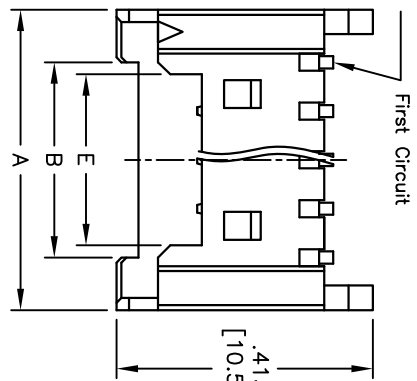


Rev	AWO #	Description	Date	Appr
-		RELEASED	11/5/10	

APPROVED: _____
 DATE: _____ TITLE: _____



Poles	PIN No					
	1	2	3	4	5	6
6 PIN OVER	-	A	B	-	-	B
6 PIN	-	A	B	B	A	-
5 PIN	A	B	-	B	A	
4 PIN	A	B	B	A		

Poles	Dimensions				
	A	B	C	D	E
4	.406 [10.30]	.236 [6.00]	.366 [9.30]	.213 [5.40]	.260 [6.60]
5	.484 [12.30]	.315 [8.00]	.445 [11.30]	.213 [5.40]	.276 [7.00]
6	.563 [14.30]	.394 [10.00]	.524 [13.30]	.213 [5.40]	.276 [7.00]
7	.642 [16.30]	.472 [12.00]	.602 [15.30]	.370 [9.40]	.433 [11.00]
8	.720 [18.30]	.551 [14.00]	.681 [17.30]	.370 [9.40]	.433 [11.00]
9	.799 [20.30]	.630 [16.00]	.760 [19.30]	.370 [9.40]	.433 [11.00]
10	.878 [22.30]	.709 [18.00]	.839 [21.30]	.370 [9.40]	.433 [11.00]
11	.957 [24.30]	.787 [20.00]	.917 [23.30]	.370 [9.40]	.433 [11.00]
12	1.035 [26.30]	.866 [22.00]	.996 [25.30]	.370 [9.40]	.433 [11.00]
13	1.114 [28.30]	.945 [24.00]	1.075 [27.30]	.370 [9.40]	.433 [11.00]
14	1.193 [30.30]	1.024 [26.00]	1.154 [29.30]	.370 [9.40]	.433 [11.00]
15	1.272 [32.30]	1.102 [28.00]	1.232 [31.30]	.370 [9.40]	.433 [11.00]

SPECIFICATIONS:

Material: Insulator: PA66, rated UL 94V-0
 Insulator color: White
 Contacts: Brass
 Plating: Tin over Copper underplate overall

Operating voltage: 125 VAC max
 Current rating: 2 Amp max
 Contact resistance: 30 mohms max
 Insulation resistance: 1000 Mohms min
 Dielectric withstanding voltage: 1000 VAC for 1 minute
 Temperature Rating: Operating temperature: -25°C to +85°C

Environmental: Lead free, RoHS compliant
 Recommended soldering temp: 235°C for 5 seconds

UNLESS OTHERWISE SPECIFIED
 ALL DIMENSIONS ARE INCHES [MM]
 TOLERANCES: EXCEPT AS NOTED
 INCHES HOLE SIZES
 .X ± .10
 .XX ± .020
 .XXX ± .015
 .XXX ± .010

ADAM TECH
 909 Railway Avenue, Union, NJ 07083
 Phone: 908-687-5000 Fax: 908-687-5710

DRAWN	AY	11/5/10	SIZE	PART NO.	2SH-G-XX-TR	REV.
CHECKED	AH	11/5/10	SCALE	SCALE	NIS	SHEET 1 OF 1
APPROVED			REF:	S0012T		

