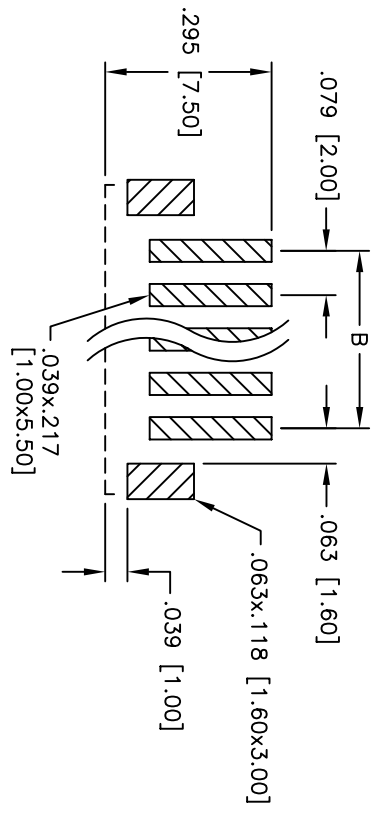
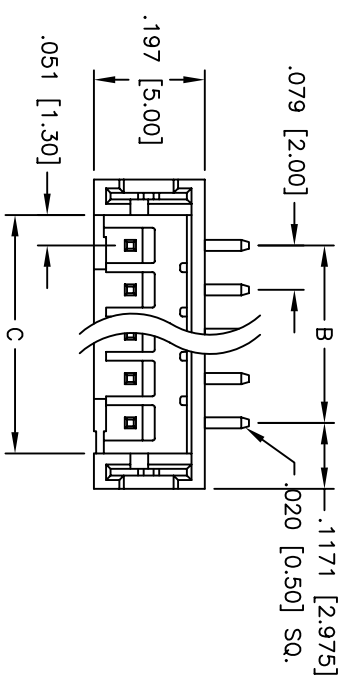
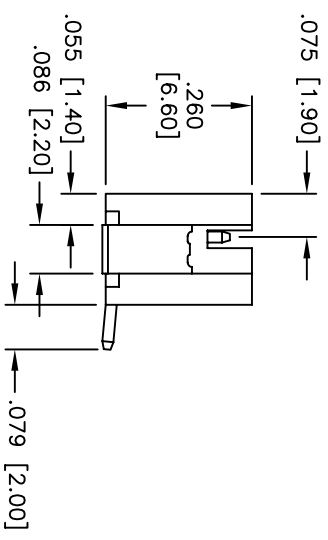
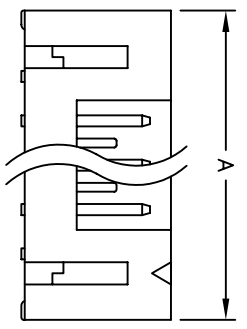


Rev	AWO #	Description	Date	Appr
-		RELEASED	4/7/05	

APPROVED: \_\_\_\_\_  
 DATE: \_\_\_\_\_ TITLE: \_\_\_\_\_



RECOMMENDED  
PCB LAYOUT



SPECIFICATIONS:  
 Material: Nylon 46, rated UL 94V-0  
 Insulator color: White  
 Contacts: Brass  
 Plating: Tin over Copper underplate overall

Electrical:  
 Operating voltage: 100 VAC max  
 Current rating: 2 Amps max  
 Contact resistance: 10 mohms max  
 Insulation resistance: 1,000 Mohms min @ 500 VDC  
 Dielectric withstanding voltage: 1,000 VAC for 1 minute  
 Temperature Rating:  
 Operating temperature: -25°C to +85°C  
 Environmental:  
 Lead free, RoHS compliant  
 Recommended soldering temp: 260°C for 5 seconds



Positions: 2 thru 15  
 A = .079 [2.00] x No. of Positions + .153 [3.90]  
 B = .079 [2.00] x No. of Spaces  
 C = .079 [2.00] x No. of Positions + .024 [0.60]

UNLESS OTHERWISE SPECIFIED  
 ALL DIMENSIONS ARE IN INCHES [MM]  
 TOLERANCES: EXCEPT AS NOTED

INCHES	HOLDERS
.X ± .10	ØX ± .10
.XX ± .020	ØXXX ± .015
.XXX ± .015	ØXXX ± .010

**ADAM TECH**  
 909 Rahway Avenue, Union, NJ 07083  
 Phone: 908-687-5000 Fax: 908-687-5710

TITLE: .079 [2.00] SHRROUDED HEADER  
 VERTICAL, SURFACE MOUNT

APPROVALS	DATE	SIZE	PART NO.	REV.
DRAWN	SS	4/7/05	2SH-C-XX-TS-SMT	-
CHECKED				
APPROVED				

REF: SCALE: NTS SHEET 1 OF 1