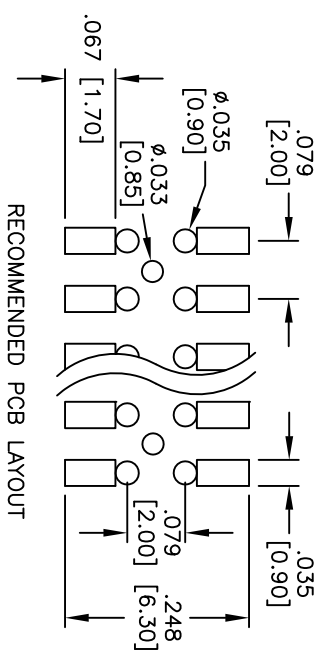
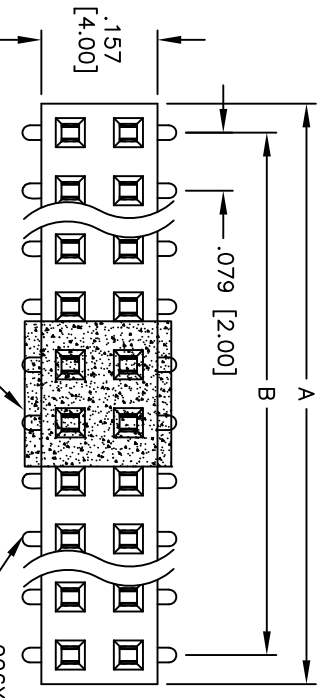
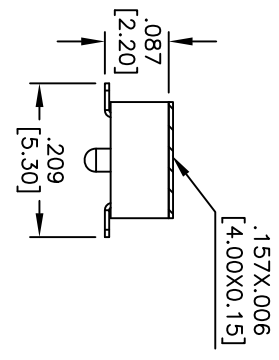
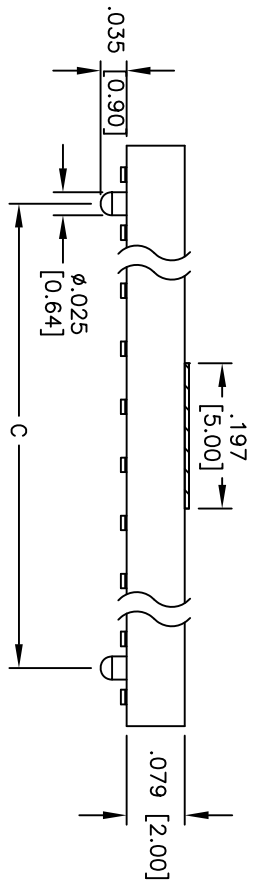


Rev	AWO #	Description	Date	Appr
-		RELEASED	12/09/08	

APPROVED: _____
 DATE: _____ TITLE: _____



RECOMMENDED PCB LAYOUT



PACKAGED ON TAPE & REEL

Positions: 02 thru 40 per row
 A = .079 [2.00] x No. of Positions
 B = .079 [2.00] x No. of Spaces
 C = .079 [2.00] x No. of Positions - .157 [4.00]

ADAM TECH

909 Rahway Avenue, Union, NJ 07083
 Phone: 908-687-5000 Fax: 908-687-5710

TITLE: .079x.079 DUAL ROW RECEPTACLE STRIP
 .079 [2.00] HEIGHT, GOLD PLATED, SMT

SPECIFICATIONS:
 Material: Nylon 6T, UL 94V-0
 Insulator color: Black
 Contacts: Phosphor Bronze
 Plating: Gold flash over Nickel underplate overall.
 Electrical:
 Current rating: 2 Amps max.
 Contact resistance: 20 mohms max. initial
 Insulation resistance: 1,000 Mohms min.
 Dielectric withstanding voltage: 500 VAC for 1 minute
 Temperature Rating:
 Operating temperature: -40°C to +105°C
 Environmental:
 Lead free, RoHS compliant
 Recommended soldering temp: 260°C for 5 seconds



UNLESS OTHERWISE SPECIFIED
 ALL DIMENSIONS ARE IN INCHES [MM]
 TOLERANCES: EXCEPT AS NOTED
 INCHES HOLEES
 .X ± .10 ØXX ± .10
 .XX ± .020 ØXXX ± .015
 .XXX ± .015 ØXXXX ± .010
 APPROVALS DATE

DRAWN	DY	12/09/08
CHECKED		
APPROVED		

SIZE	PART NO.	REV.
X	2RS2G-XX-G-SMT-P-.025-KT-1/R	-
REF: S00032T	SCALE: NTS	SHEET 1 OF 1