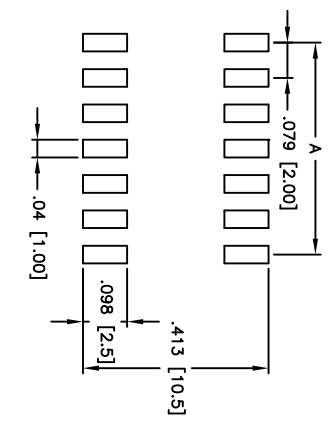
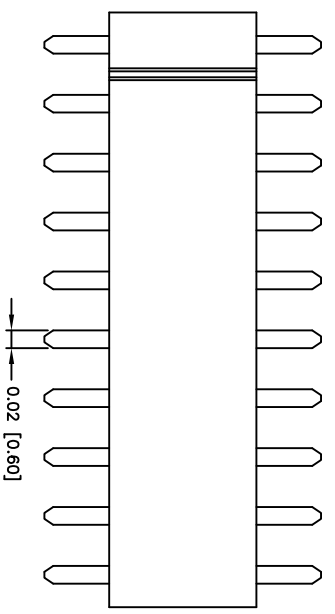


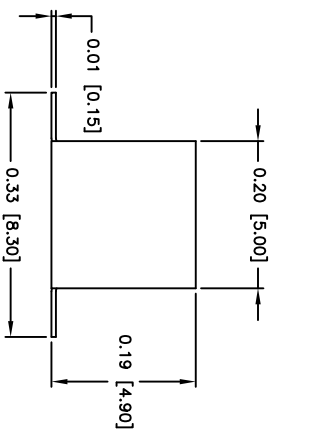
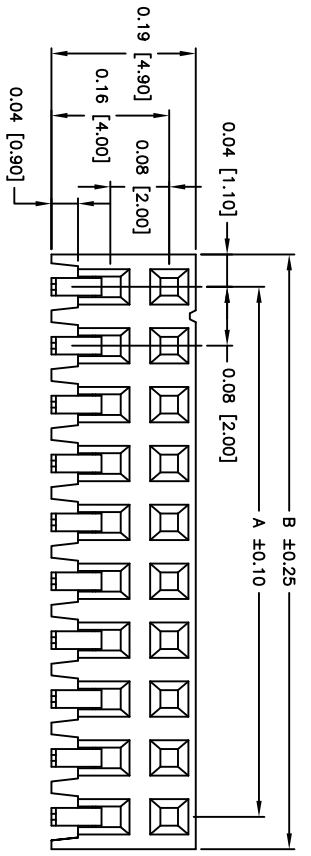
APPROVED: _____
 DATE: _____ TITLE: _____

Rev	AWO #	Description	Date	Appr
-		RELEASED	11/26/07	
A		REVISED CURRENT RATING	3/26/10	

Recommended P.C.Board
 Hole Layout



No. of Contacts	DIMENSIONS	
	A	B
6	0.16 [4.00]	0.24 [6.20]
8	0.24 [6.00]	0.32 [8.20]
10	0.31 [8.00]	0.40 [10.20]
12	0.39 [10.00]	0.48 [12.20]
14	0.47 [12.00]	0.56 [14.20]
16	0.55 [14.00]	0.64 [16.20]
18	0.63 [16.00]	0.72 [18.20]
20	0.71 [18.00]	0.80 [20.20]
22	0.79 [20.00]	0.87 [22.20]
24	0.87 [22.00]	0.95 [24.20]
26	0.94 [24.00]	1.03 [26.20]
28	1.02 [26.00]	1.11 [28.20]
30	1.10 [28.00]	1.19 [30.20]
32	1.18 [30.00]	1.27 [32.20]
34	1.26 [32.00]	1.35 [34.20]
36	1.34 [34.00]	1.43 [36.20]
38	1.42 [36.00]	1.50 [38.20]
40	1.50 [38.00]	1.58 [40.20]
42	1.57 [40.00]	1.66 [42.20]
44	1.65 [42.00]	1.74 [44.20]
46	1.73 [44.00]	1.82 [46.20]
48	1.81 [46.00]	1.90 [48.20]
50	1.89 [48.00]	1.98 [50.20]



NOTE: PACKAGED ON TAPE & REEL

SPECIFICATIONS:

Material: Insulator: Nylon 6T, Rated UL 94V-0

Insulator color: Black
 Contacts: Phosphor Bronze

Plating: Gold Flash over Nickel underplate overall

Electrical:

Operation voltage: 250 VAC max.

Current rating: 1.5 Amp max.

Contact resistance: 20 mW max.

Insulation resistance: 500 MΩ min.

Dielectric withstanding voltage: 500 VAC

Environmental:

Operating temperature: -40°C to +105°C

Lead free, RoHS compliant.

Recommended soldering temp: 260°C for 5 sec.



ADAM TECH

909 Railway Avenue, Union, NJ 07083
 Phone: 908-687-5000 Fax: 908-687-5710

2.0MM RECEPTACLE STRIP, DUAL ROW
 SURFACE MOUNT

UNLESS OTHERWISE SPECIFIED ALL DIMENSIONS ARE INCHES [MM]		TOLERANCES: EXCEPT AS NOTED	
INCHES		HOLES	
.X	±.10	Ø.X	±.10
.XX	±.020	Ø.XXX	±.015
.XXX	±.015	Ø.XXXX	±.010
APPROVALS		DATE	
DRAWN	SHIREN	11/26/07	
CHECKED			
APPROVED			
SIZE	PART NO.	REF:	REV.
X	2RS2BR-XX-G-SMT-TR		A
SCALE:	NTS	SHEET:	1 OF 1