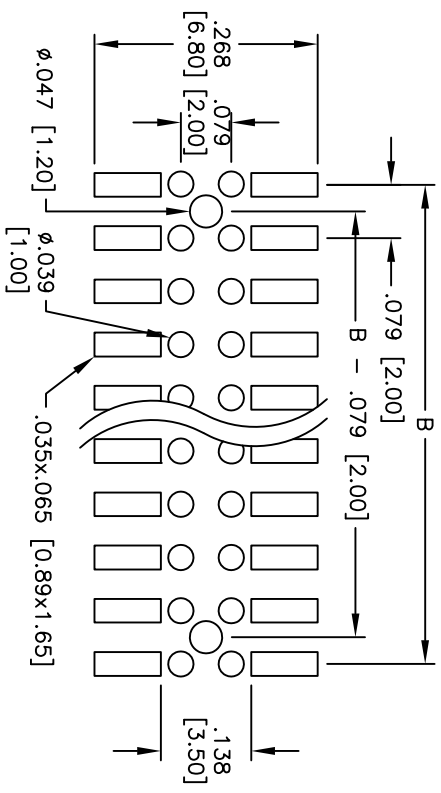
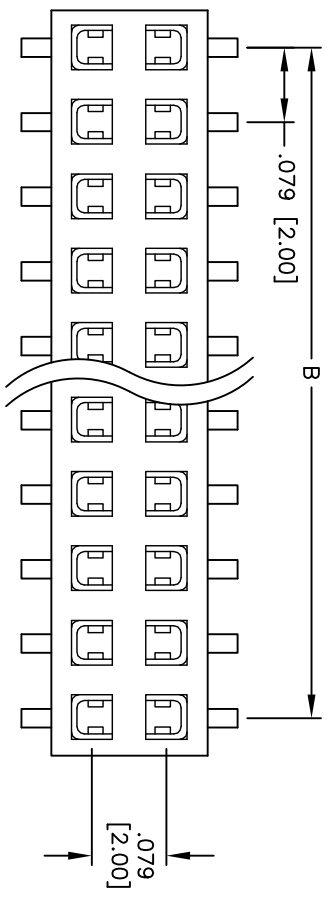
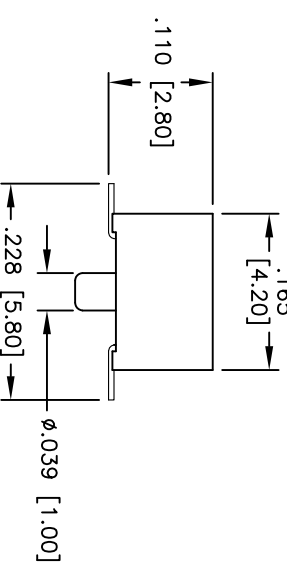
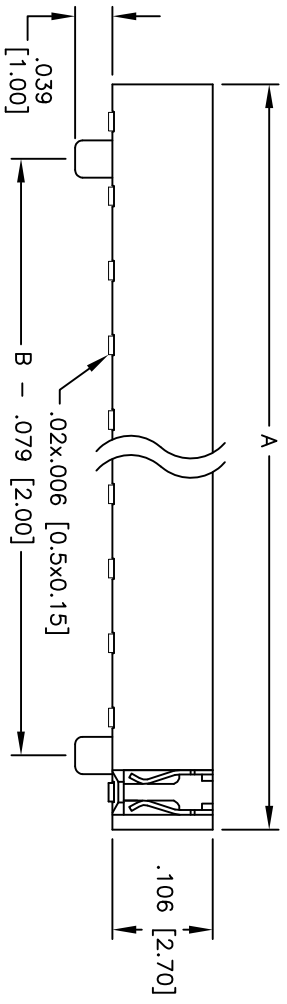


| Rev | AWO # | Description | Date     | Appr |
|-----|-------|-------------|----------|------|
| -   |       | RELEASED    | 11/25/10 |      |

APPROVED: \_\_\_\_\_  
 DATE: \_\_\_\_\_ TITLE: \_\_\_\_\_



RECOMMENDED  
PCB LAYOUT



**SPECIFICATIONS:**

Material: Insulator: Nylon 6T, rated UL 94V-0  
 Insulator color: Black  
 Contacts: Phosphor Bronze  
 Plating: Gold flash over Nickel underplate on contact area, Tin over Copper underplate on SMT tails  
 Electrical: Operating voltage: 250 VAC max.  
 Current rating: 1 Amp max.  
 Contact resistance: 20 mohms max. initial  
 Insulation resistance: 5,000 Mohms min.  
 Dielectric withstanding voltage: 500 VAC for 1 minute  
 Temperature Rating: Operating temperature: -40°C to +105°C  
 Environmental: Lead free, RoHS compliant  
 Recommended soldering temp: 260°C for 5 seconds

Positions: 02 thru 80  
 A = .079 [2.00] x No. of Positions per Row  
 B = .079 [2.00] x No. of Spaces

UNLESS OTHERWISE SPECIFIED  
 ALL DIMENSIONS ARE IN INCHES [MM]  
 TOLERANCES: EXCEPT AS NOTED  
 INCHES HOLEES  
 .X ± .10 ØXX ± .10  
 .XX ± .020 ØXXX ± .015  
 .XXX ± .015 ØXXX ± .010

| APPROVALS |    | DATE     |
|-----------|----|----------|
| DRAWN     | AY | 11/25/10 |
| CHECKED   | VW | 11/25/10 |
| APPROVED  |    |          |

**ADAM TECH**

909 Railway Avenue, Union, NJ 07083  
 Phone: 908-687-5000 Fax: 908-687-5710

TITLE: .079 x .079 DUAL ROW RECEPTACLE STRIP  
 .106 [2.70] HEIGHT, SMT, BOTTOM ENTRY, PEGS

| SIZE | PART NO.          | REV. |
|------|-------------------|------|
| X    | 2RS2B-XX-SG-SMT-P |      |

| REF. | SCALE: | NTS | SHEET 1 OF 1 |
|------|--------|-----|--------------|
|      |        |     |              |

